

# INSTALLATION INSTRUCTIONS

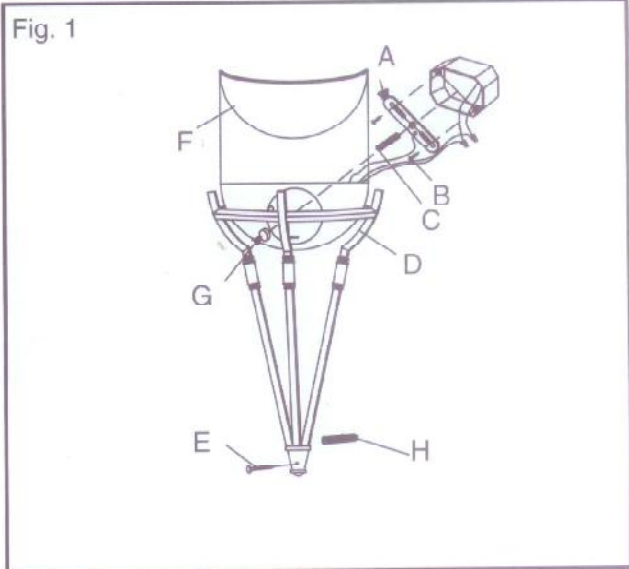
For Wall Sconce Fixtures (Rev. 12/26/2000)

Model # 681

**WARNING! SHUT POWER OFF AT FUSE OR CIRCUIT BREAKER.**

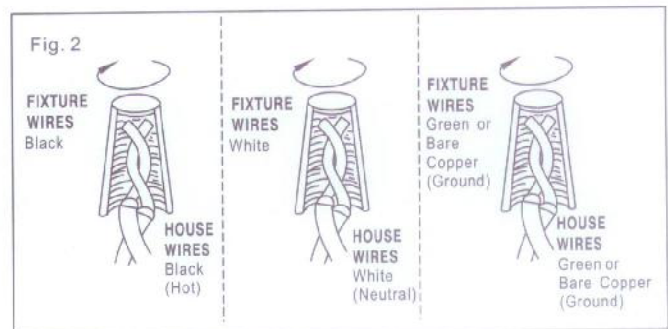
## MOUNTING THE FIXTURE

1. Shut off power at the circuit breaker and remove old fixture from wall, including the crossbar.
2. Carefully unpack your new fixture and lay out all the parts on a clear area. Take care not to lose any small parts necessary for installation.
3. Secure Crossbar (A) using Screw (B) to the Junction Box.
4. Screw Nipple (C) into Crossbar (A) and place Back Plate Frame (D) into Nipple(C), then secure it by Knurled Knob (G) and Mounting Screw (E).
5. Nail Plastic Anchor (H) inside the wall and secure bottom of frame with Screw (E) tightly.



## CONNECTING THE WIRES (Fig.2)

6. At this point, connect the electrical wires as shown in Fig.2. Making sure that all wire connectors are secure. If your outlet has a ground wire (green or bare copper), connect the fixture Ground Wire (G) to it. Otherwise, connect the fixture Ground Wire (G) directly to the crossbar using the green screw provided. After wires are connected, tuck them carefully inside the Outlet Box.
7. Install the light bulbs in accordance with fixtures specifications. **CAUTION: Do not exceed the maximum wattage rating!**
8. Place Glass (F) inside Back Plate Frame (D).(Fig. 1)



MIN 90°C SUPPLY CONDUCTORS

Your installation is now complete. Return power to the junction box and test the fixture.

american  
lighting  
association