

INSTALLATION INSTRUCTIONS

Item# 6350 (Rev. 05/10/2012)

READ AND SAVE THESE INSTRUCTIONS

WARNING! SHUT POWER OFF AT FUSE OR CIRCUIT BREAKER.
AVERTISSEMENT! COUPER LE COURANT AU NIVEAU DES FUSIBLES OU DU DISJONCTEUR.

MOUNTING THE FIXTURE (Fig. 1)

1. Shut off power at the circuit breaker and remove old fixture, including the mounting hardware.
2. Carefully unpack your new fixture and lay out all the parts on a clear area. Take care not to lose any small parts necessary for installation.
3. Attach Circular Strap (B) using the Junction Box Screws (C) to the Junction box (A). The side of the Circular Strap marked "GND" must face out.
4. Thread the two Studs (D) part way into the Circular Strap (B).

CONNECTING THE WIRES (Fig. 2)

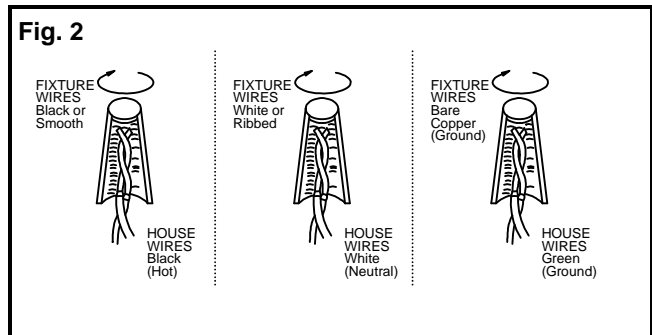
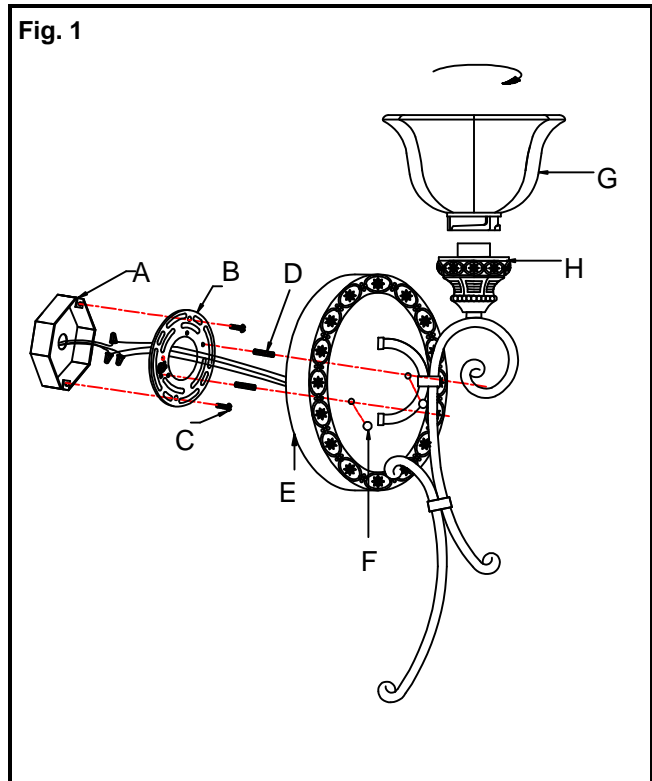
5. At this point, connect the electrical wire as shown in Fig. 2, making sure that all wire connectors are secured. If your outlet has a ground wire (green or bare copper), connect the fixture's Ground Wire to it. Otherwise, connect the fixture Ground Wire directly to the circular strap using the Green Screw provided. After wires are connected, tuck them carefully inside the Junction Box.

FINISHING THE INSTALLATION (Fig. 1)

6. Place the Fixture Body (E) over the junction box and thread Studs (D) through the fixture body. Secure assembly with Cap Nuts (F).
7. Screw the Glass shade (G) over the Socket Cup (H) by twisting it clockwise as shown in Fig.1.
8. Install the light bulb (not included) in accordance with the fixture's specifications. **(DO NOT EXCEED THE MAXIMUM WATTAGE RATING! NE PAS DEPASSER LA PUISSANCE NOMINALE MAXIMALE!)**

Your installation is now complete. Return power to the outlet box and test the fixture.

Note: Illustration (Fig.1) on this manual is for installation purposes only. It may or may not be identical to the fixture purchased.



“U.S. Patents; D577,459; D579,143

This product is protected by United States Federal and/or State Law, including Patent and/or Copyright laws.”

© Minka Lighting, Inc.

