

# MILLBRIDGE (Polished Brass) 1 LT Wall Mount

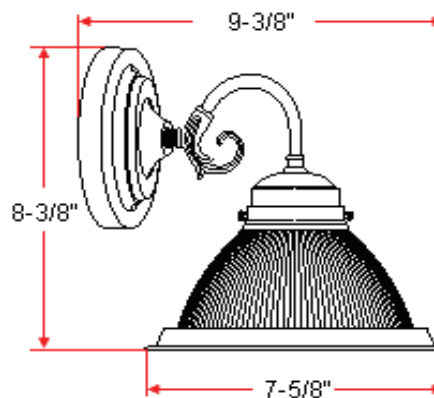


## Specifications

<b>Material Construction:</b>	Formed Steel
<b>Lens:</b>	Clear Ribbed glass
<b>Lamp Type &amp; Wattage:</b>	One 60W, medium base incandescent lamp
<b>Mounting:</b>	Wall mounted
<b>Finish:</b>	Polished Brass (US3)
<b>Voltage:</b>	120V
<b>Weight:</b>	1.7 lbs
<b>Companion Fixtures:</b>	Chandeliers, wall lights, ceiling mounts, pendants



## Dimensions



## Warranty & Compliances

<b>Warranty</b>	10 Year Limited Warranty
<b>UL</b>	UL/cUL; Suitable for damp locations
<b>ADA</b>	N/A
<b>EnergyStar</b>	N/A



## Companion Fixtures

1 LT Wall Mount	503011	
1 LT Wall Sconce	506782	
2 LT Wall Mount	503029	
2 LT Semi Flush Mount	503383	
1 LT Ceiling Mount (7"x6")	500629	
1 LT Ceiling Mount (4 <sup>3/4</sup> "x7 <sup>5/8</sup> ")	507368	
1 LT Ceiling Mount (5 <sup>7/8</sup> "x11 <sup>1/4</sup> ")	503037	
2 LT Ceiling Mount (5 <sup>7/10</sup> "x9 <sup>1/2</sup> ")	507343	
2 LT Ceiling Mount (6 <sup>7/8</sup> "x13 <sup>1/8</sup> ")	503045	
3 LT Ceiling Mount	507061	
3 LT Chandelier	509265	
5 LT Chandelier	500546	
Pendant (10 <sup>3/4</sup> "x14 <sup>7/8</sup> ")	500876	
Pendant (12"x16 <sup>3/4</sup> ")	500561	

Type:

Job:

Order Code:

Approvals:

Design House reserves the right to make changes in materials, specifications & models at any time. Design House also reserves the right to discontinue product without notice or obligation.