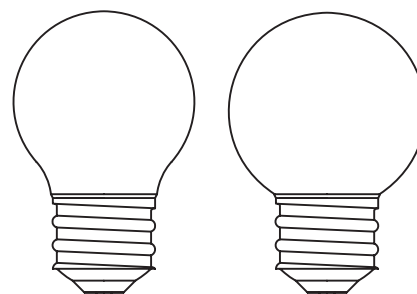
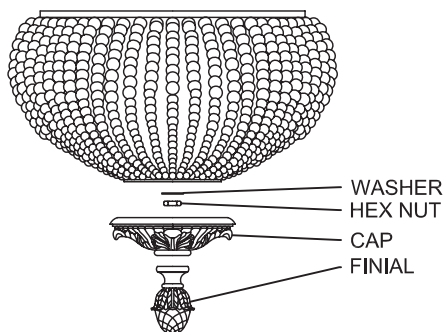
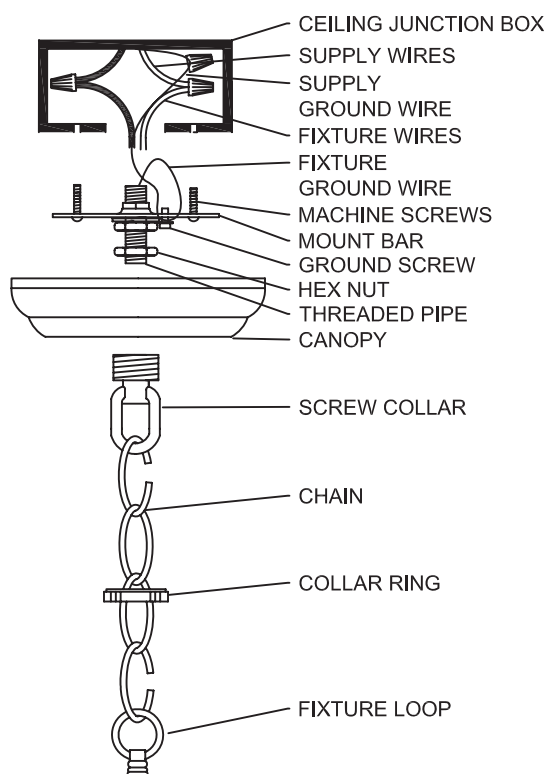
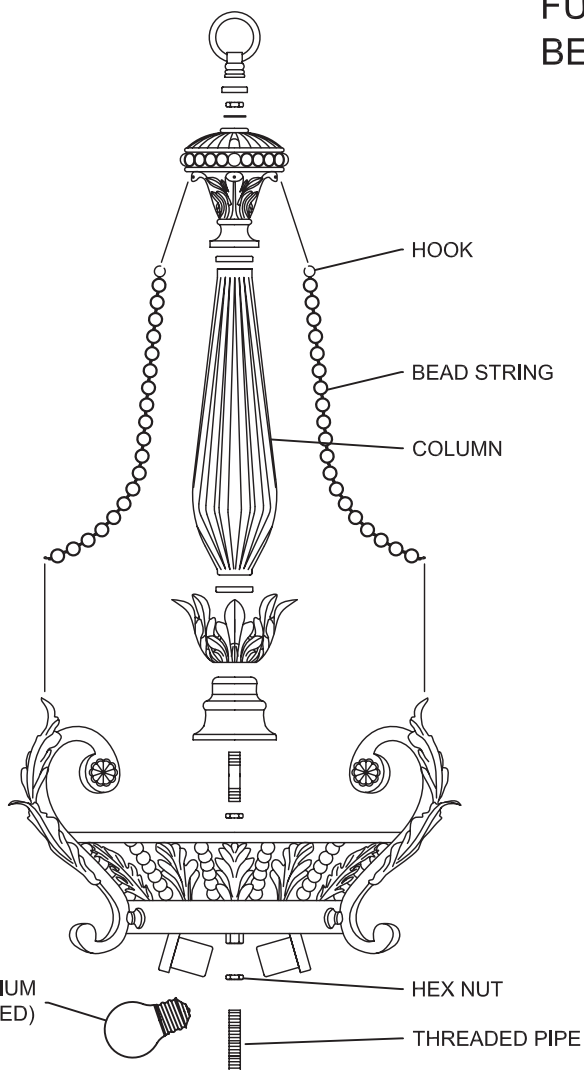


# CRYSTORAMA

95 Cantiague Rock Road \* Westbury, New York 11590 \* USA  
 P 516.931.9090 \* F 516.931.1254  
 www.crystorama.com\*info@crystorama.com

## ASSEMBLY INSTRUCTIONS FOR 6724

**IMPORTANT**  
 TURN OFF THE POWER AT THE MAIN  
 FUSE OR CIRCUIT BREAKER BOX  
 BEFORE STARTING INSTALLATION



3-E27 MAX 60W/M  
 TYPE A15 or G16 1/2  
 2011-6-18