

# New Millbridge (ORB) Pendant

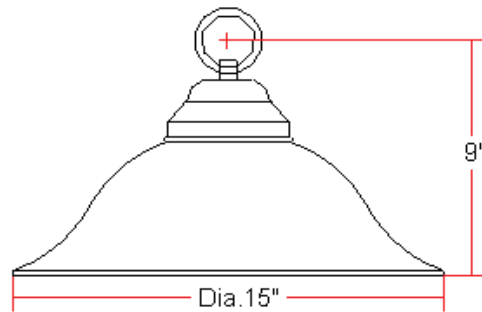


## Specifications

<b>Material Construction:</b>	Formed Steel
<b>Lens:</b>	Alabaster glass
<b>Lamp Type &amp; Wattage:</b>	One 100W, medium base incandescent lamp
<b>Mounting:</b>	Ceiling mounted
<b>Finish:</b>	Oil Rubbed Bronze (US10B)
<b>Voltage:</b>	120V
<b>Weight:</b>	6.4 lbs
<b>Companion Fixtures:</b>	Chandeliers, wall mounts, pendants & ceiling mounts



## Dimensions



## Warranty & Compliances

<b>Warranty</b>	10 Year Limited Warranty
<b>UL</b>	UL/cUL listed; Suitable for damp locations
<b>ADA</b>	N/A
<b>EnergyStar</b>	N/A



## Companion Fixtures

<b>Pendant</b>	514505	
<b>1 LT Wall Sconce</b>	514554	
<b>1 LT Wall Mount</b>	514497	
<b>2 LT Wall Mount</b>	514471	
<b>1 LT Ceiling Mount (6" x 6.75")</b>	514521	
<b>1 LT Ceiling Mount (7.625" x 5")</b>	514547	
<b>2 LT Ceiling Mount (9.25" x 5.25")</b>	514539	
<b>2 LT Ceiling Mount (13.25" x 5.875")</b>	514489	
<b>3 LT Chandelier</b>	514463	
<b>5 LT Chandelier</b>	514455	
<b>Mini Pendant</b>	514513	

Type:

Job:

Order Code:

Approvals:

Design House reserves the right to make changes in materials, specifications & models at any time. Design House also reserves the right to discontinue product without notice or obligation.