

INSTALLATION INSTRUCTIONS

Item#179(New. 11/29/2011)

READ AND SAVE THESE INSTRUCTIONS

WARNING! SHUT POWER OFF AT FUSE OR CIRCUIT BREAKER.
AVERTISSEMENT! COUPER LE COURANT AU NIVEAU DES FUSIBLES OU DU DISJONCTEUR.

HANGING THE FIXTURE (Fig.1)

1. Shut off the power at the circuit breaker (**avertissement! couper le courant au niveau des fusibles ou du disjoncteur**) and remove the old fixture from the ceiling, including the mounting hardware.
2. Carefully unpack your new fixture and lay out all the parts on a clear area. Take care not to lose any small parts necessary for the installation.
3. Attach the circular strap (A) to the outlet box using the two screws (C). The side of the circular strap (A) marked "GND" must face out.
4. Thread the two mounting screws (B) into the pre-drilled holes in the circular strap (A).
5. Determine the desired hanging height and thread rods (F) to fixture body (G). Pass the wires carefully as you assemble.
6. Secure the rod (F) to the canopy (E).

CONNECTING THE WIRES (Fig. 2)

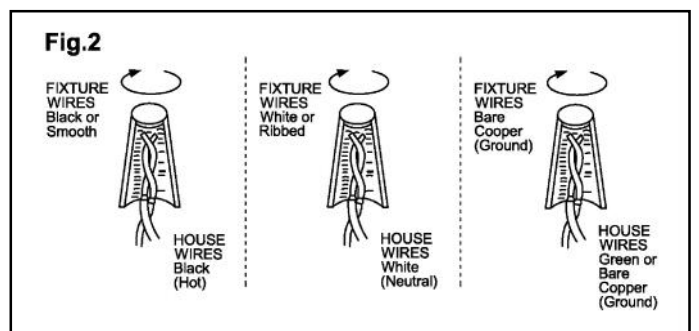
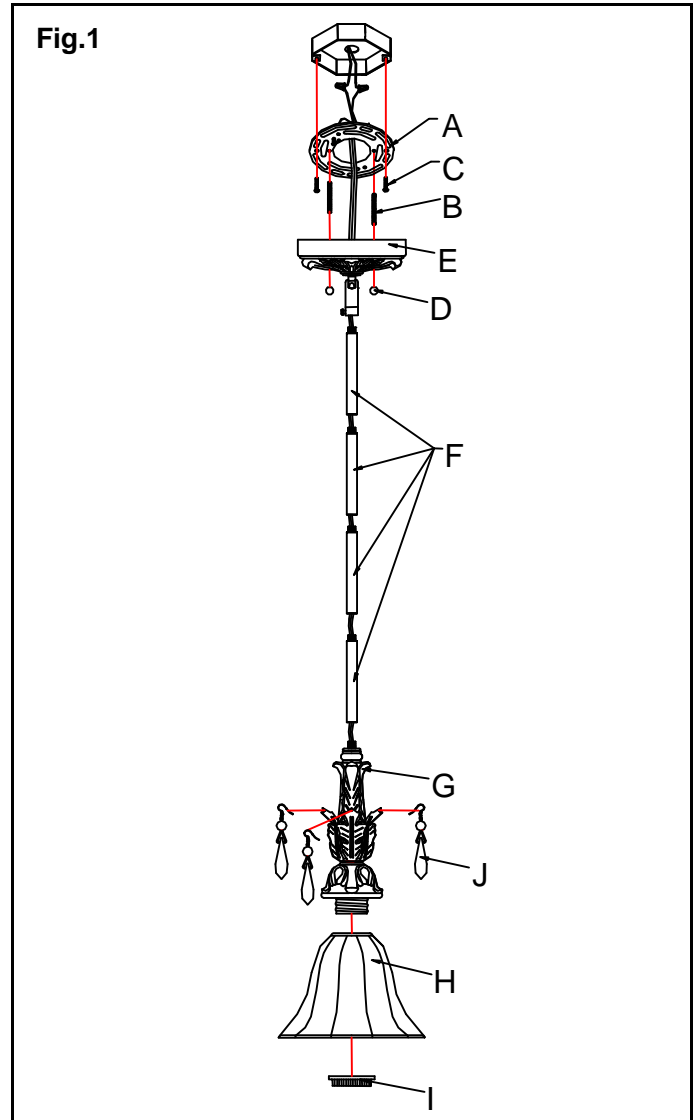
7. At this point, connect the electrical wire as shown in figure 2, making sure that all wire connectors are secured. If your outlet has a ground wire (green or bare copper), connect the fixtures ground wire to it. Otherwise, connect the fixture ground wire directly to the crossbar using the green screw provided.

COMPLETING THE INSTALLATION (Fig. 1)

8. Attach the canopy (E) onto the outlet box through the two mounting screws (B) and secure it with nuts (D).
9. Place the glass shade (H) over the socket of fixture body (G) and secure it with screw shell (I).
10. Install the bulb(s) (not included) in accordance with the fixture's specification. (**DO NOT EXCEED THE MAXIMUM WATTAGE RATING!**) (**NE PAS DEPASSER LA PUISSANCE NOMINALE MAXIMALE!**) Hang the crystal drops (J) on the front edge of the metal leaves on the fixture body.
11. For installing or replacing bulb at a later date, install or replace it to the socket from the bottom of the fixture. (Fig. 1)

Your installation is now complete. Return power to the junction box and test the fixture.

Note: Illustration (Fig. 1) on this manual is for installation purposes only. It may or may not be identical to the fixture purchased.



LA-2080E

