

INSTALLATION INSTRUCTIONS

Item#177 (New. 08/02/2012)

READ AND SAVE THESE INSTRUCTIONS

WARNING! SHUT POWER OFF AT FUSE OR CIRCUIT BREAKER.

AVERTISSEMENT! COUPER LE COURANT AU NIVEAU DES FUSIBLES OU DU DISJONCTEUR.

ASSEMBLING THE FIXTURE (Fig.1)

1. Shut off the power at the fuse box or circuit breaker. If necessary, remove the old fixture including the mounting hardware.
2. Carefully remove the new fixture from the carton and check that all parts are included as shown in the illustration.
3. Place the fixture loop (A) onto the nipple and pass wires through. Then pull until tight.

HANGING THE FIXTURE (Fig. 3)

4. Thread the nipple (S) into ceiling loop (P) until snug.
5. Thread the other end of nipple (S) with the loop attached into the crossbar (N) until snug.
6. Place the lock washer (M) over the end of nipple protruding through crossbar (N) and secure with the hex nut (L).
7. Take the crossbar assembly and mount to the ceiling junction box using junction box screw (O) (Size: #8-32N*L0.5"). Tighten screws securely with a screwdriver. This side of crossbar marked "GND" must face out.
8. Use a pair of chain pliers to open one end link of the chain and connect to the fixture loop (A), then close the link.
9. By measuring, determine the correct number of links needed for the desired hanging height. Using the chain pliers, disconnect and discard remaining chain.
10. Carefully lace the fixture wires through the chain.
11. Slip the lock collar (R) and the canopy (Q) over the chain.
12. Open the other end link of the chain and connect to the ceiling loop (P), then close the link.
13. Feed the fixture wires through the ceiling loop (P) and nipple (S) then pull until tight.

CONNECTING THE WIRES (See Fig.2)

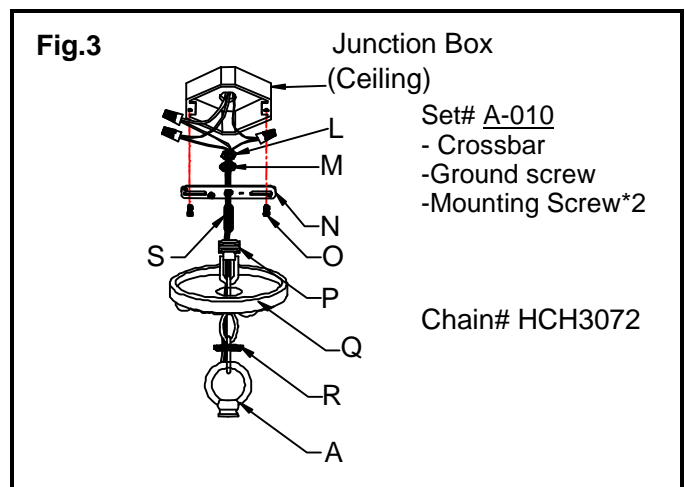
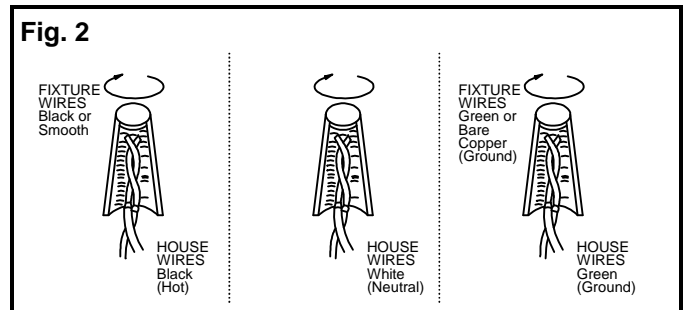
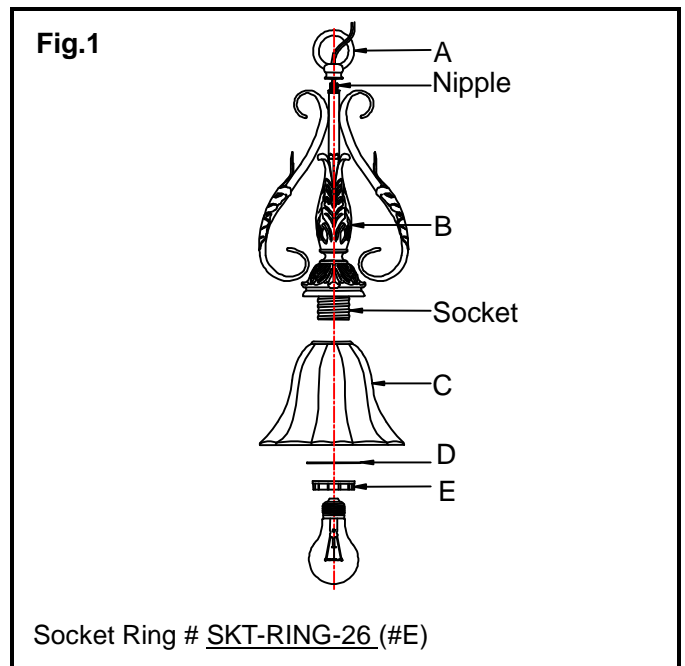
14. Connect the electrical wire as shown in figure 2, making sure that all wire connectors are secured. If your outlet has a ground wire (green or bare copper), connect the fixtures ground wire to it. Otherwise, connect your fixture's ground wire directly to the cross bar (N) using the green screw provided. Tuck the wire connectors neatly into the ceiling junction box.

COMPLETING THE INSTALLATION (Fig. 1)

15. Raise the canopy (Q) over ceiling loop (P), then raise lock collar (R) and thread onto the ceiling loop (P).
16. Place the glass shade (C), and metal washer (D) over the socket and secure with the socket ring (E).
17. Install the light bulb(s) (not included) in accordance with the fixture's specification. **(DO NOT EXCEED THE MAXIMUM WATTAGE RATING!) (NE PAS DEPASSER LA PUISSANCE NOMINALE MAXIMALE!).**

Your installation is now complete. Return power to the junction box and test the fixture.

Note: Illustration (Fig. 1) on this manual is for installation purposes only. It may or may not be identical to the fixture purchased.



Notice: It is important to use proper chain pliers (not included) To OPEN and CLOSE the chain included with this fixture. Do not open them with other tools that may twist or stress the chain links. It is important to use proper chain pliers like the ones shown in the diagram.



LA-2224E