

INSTALLATION INSTRUCTIONS

Model # 8990

READ AND SAVE THESE INSTRUCTIONS

WARNING! SHUT POWER OFF AT FUSE OR CIRCUIT BREAKER.

AVERTISSEMENT! COUPER LE COURANT AU NIVEAU DES FUSIBLES OU DU DISJONCTEUR.

PREPARING FOR INSTALLATION (Fig. 1)

1. Shut off power at the circuit breaker (avertissement! couper le courant au niveau des fusibles ou du disjoncteur) and remove the old fixture including mounting hardware.
2. Carefully unpack your new fixture and lay out all the parts in a clear area. Take care not to misplace any small parts necessary for installation.
3. Attach crossbar (B) (Part#A-012) using mounting screws (C) (Part#8/32"×1"L) to the outlet box (A). (Fig 1)

CONNECTION THE WIRES (Fig. 2)

4. Connect the electrical wires as shown in Fig.2. Making sure that all wire connectors are secured. If your outlet box has a ground wire (green or bare copper), connect the fixture's ground wire to it. Otherwise, connect the fixture's ground wire directly to the crossbar using the green screw (D) (Part#8/32"×1/3"L) provided.

FINISHING THE INSTALLATION (Fig.1)

5. To prevent moisture from entering the outlet box (A) and causing a short, use clear silicone sealant to outline the outside of fixture back plate (G) where it meets the wall leaving a space at bottom to allow moisture a means to escape. (Fig 3)
6. Align back plate (G) onto nipple (E) and secure with cap nut (F) (Fig 1).
7. At this point, unscrew the screws (J&K), remove the top cover (I) with the top back plate (H) to install 1×100W A bulb in accordance with the fixture specification –**DO NOT EXCEED THE MAXIMUM WATTAGE RATING! (NOTE: NO BULB INCLUDED) (NE PAS DEPASSER LA PUISSANCE NOMINALE MAXIMALE!)**
8. Replace the top cover (I) with top back plate (H) and secure with the screws (J&K).

Your installation is now complete. Return power to the outlet box and test the fixture.

IMPORTANT: FIXTURE SHOULD BE INSTALLED BY A QUALIFIED ELECTRICIAN TO ENSURE PROPER WIRING AND INSTALLATION.

Fig. 1

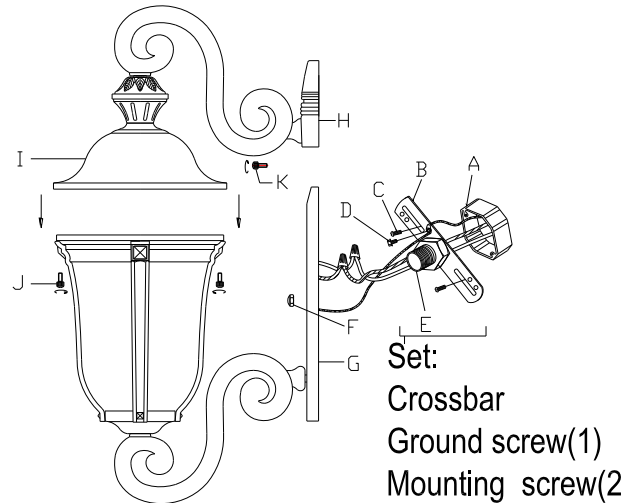


Fig.2

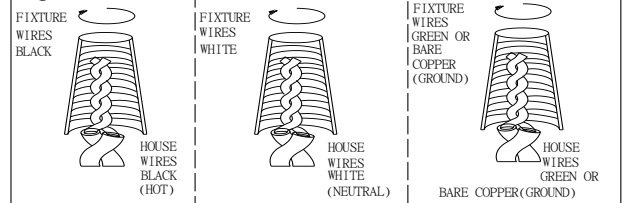
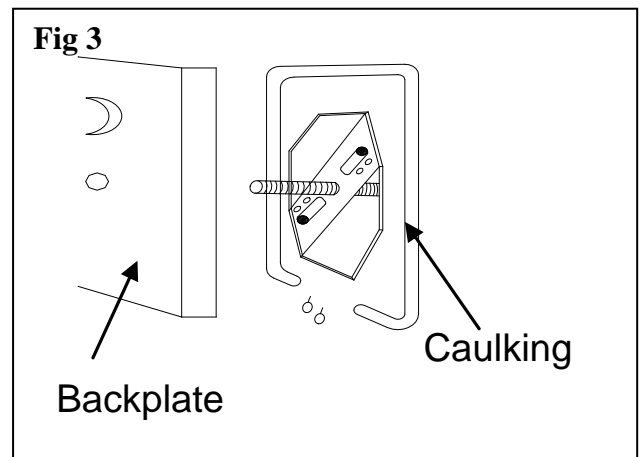


Fig 3



U.S. Patents No: D455,515; D455,856;
This product is protected by United States
Federal and/or State Law, including Patent
and/or Copyright laws.
© Minka Lighting Inc.

