

INSTALLATION INSTRUCTIONS

For Model# 8614-A61 (10/29/2012)

WARNING! SHUT POWER OFF AT FUSE OR CIRCUIT BREAKER.

AVERTISSEMENT! COUPER LE COURANT AU NIVEAU DES FUSIBLES OU DU DISJONCTEUR.

ASSEMBLING THE FIXTURE (Fig.1)

1. Carefully remove the fixture from the carton and check that all parts are included as shown in the illustration.
2. At this point, you may install the light bulbs in accordance with the fixtures specifications. **(DO NOT EXCEED THE MAXIMUM WATTAGE RATING!) (NE PAS DEPASSER LA PUISSANCE NOMINALE MAXIMALE!)** For installing bulbs or replacing bulbs at a later date, carefully remove the finial, bottom cap, bottom stem and glass. After the installation, replace the glass, bottom stem, bottom cap and secure with the finial.
3. Open one link of chain and connect it to the fixture loop. Close the link and lace the wire through the chain.

HANGING THE FIXTURE (Fig.2)

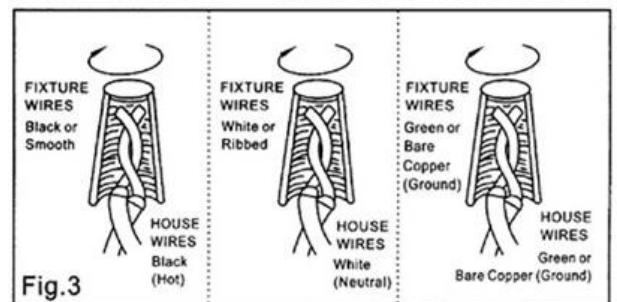
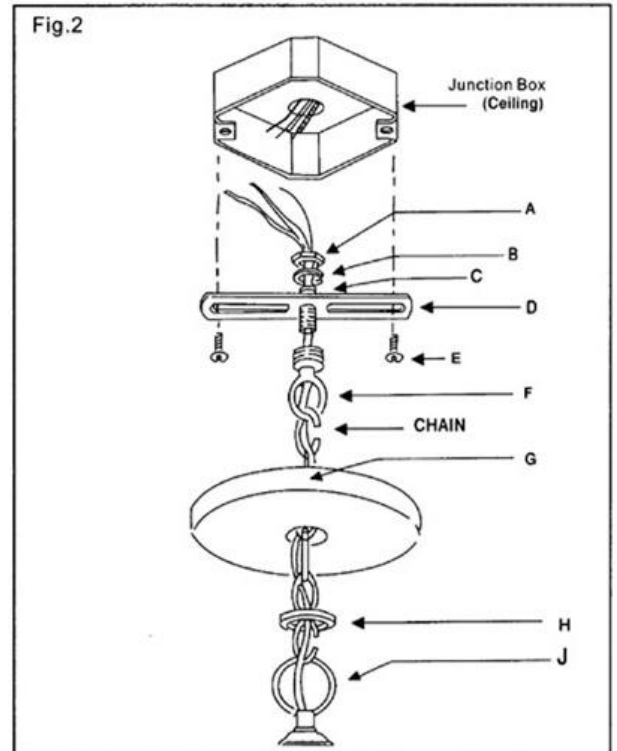
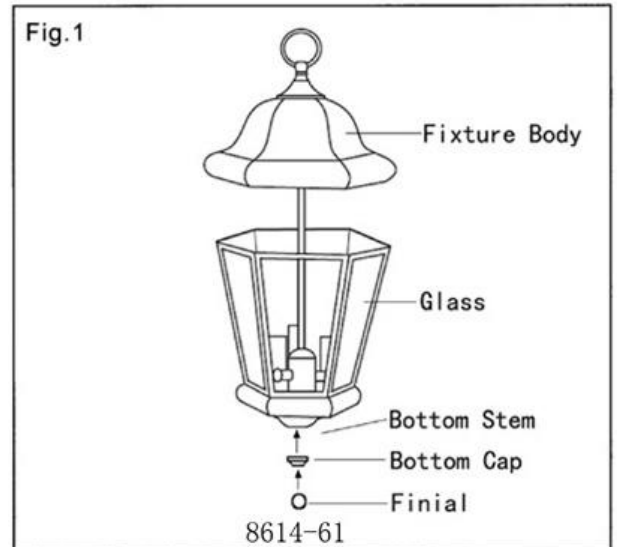
4. Shut off the power at the circuit breaker and remove the old fixture from the ceiling, including the mounting hardware.
5. Thread nipple(C) into loop (F) until snug.
6. Thread the other end of nipple(C) with loop attached into crossbar (D) until snug.
7. Place lock washer (B) over the end of the nipple (C) protruding through the crossbar and thread the hex nut (A) onto the nipple until tight. (The length of the of the nipple may be adjusted if necessary)
8. Take this crossbar assembly and attach it to the ceiling junction box securely with junction box screws (E).
9. Slip lock collar (H) and canopy (G) over the chain.
10. Shorten the chain to allow for the desired hanging height.
11. Open one link of the chain and hang the fixture on loop (F) (previously attached to the ceiling) and close the link.
12. Feed the fixture wires through the loop (F) and nipple (C) and pull until taut.

CONNECTING THE WIRES (Fig.3)

13. At this point, connect the electrical wire as shown in Fig. 3, making sure all wire nuts are secured. You may consider wrapping the connections with electrical tape. If your outlet has a ground wire (green or bare copper), connect fixture's ground wire to it. Otherwise connect fixture's ground wire directly to the junction box.
14. Tuck the wire connections neatly into the ceiling junction box. Raise the canopy (G) to the ceiling. Raise the lock collar (H) to the canopy and thread onto ceiling loop (F) protruding through canopy to secure the assembly against the ceiling (Fig2).

Your installation is now complete. Return power to the junction box and test the fixture.

Note: Illustration (Fig. 1) on this manual is for installation purposes only. It may or may not be identical to the fixture purchased.



Notice: It is important to use proper chain pliers (not included) To OPEN and CLOSE the chain included with this fixture. Do not open them with other tools that may twist or stress the chain links. It is important to use proper chain pliers like the ones shown in the diagram.



LA-1960E