

# INSTALLATION INSTRUCTIONS

For Model 8610-A61

## READ AND SAVE THESE INSTRUCTIONS

**WARNING! SHUT POWER OFF AT FUSE OR CIRCUIT BREAKER.**

**AVERTISSEMENT! COUPER LE COURANT AU NIVEAU DES FUSIBLES OU DU DISJONCTEUR.**

### MOUNTING THE FIXTURE (Fig.1)

1. Shut off the power at the circuit breaker and remove old fixture, including the crossbar.
2. Carefully unpack your new fixture and lay out all the parts on a clear area. Take care not to lose any small parts necessary for installation.
3. Attach the universal plate to the outlet box using the two screws from the outlet box. The side of the universal plate marked "GND" must face out.
4. Thread the nipple Part Way into the center hole of the crossbar.

### CONNECTING ELECTRICAL (Fig.2)

5. At this point. Connect the electric wires as shown in Fig 2. marking sure that all wire nuts are secured. You may have to wrap the connections with electrical tape. If your outlet box has a ground wire(green or bare copper), connect the fixture ground wire to it, otherwise, connect the fixture ground wire directly to the crossbar using the green screw provided.

### COMPLETING THE INSTALLATION

6. After wires are connected, tuck them carefully inside the junction box as you place the Fixture over the Nipple. Secure the Fixture against the wall using the knurled cap (Fig.1).
7. To prevent moisture from entering the outlet box and causing a short, use clear caulking (ie.Indoor/Outdoor Silicone Sealant) to outline the outside of fixture backplane where it meets the wall leaving a space at bottom to allow moisture a means to escape (Fig.3)

**Your installation is now complete. Return power to the junction box and test the fixture.**

**Note:** Illustration (Fig. 1) on this manual is for installation purposes only. It may or may not be identical to the fixture purchased.

**FOR SUPPLY CONNECTIONS, USE WIRE RATED FOR ATLEAST 75°C**

Fig. 1

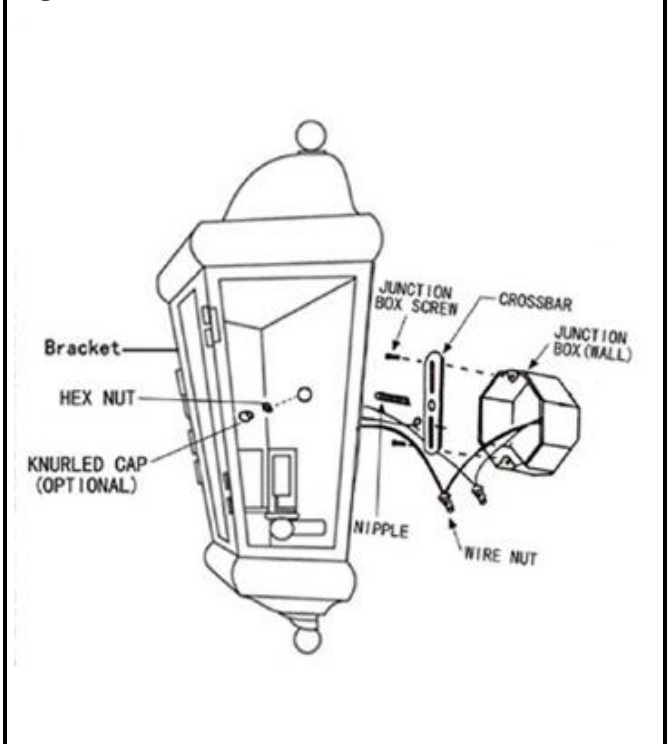


Fig. 2

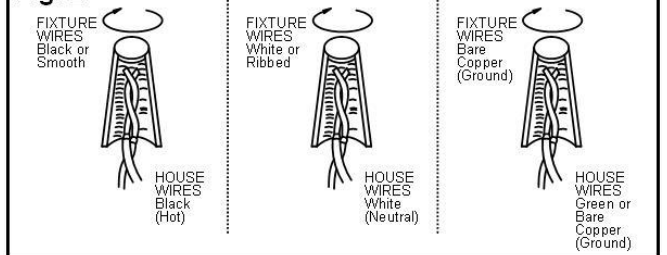


Fig. 3

