



# CALAIS™

BY  
minkaAire®  
A Minka Group® Co.

U.S. PATENTS D526,714; D527,094; D530,415; D532,896; D536,777

**INSTRUCTION MANUAL WARRANTY CERTIFICATE**

This product is protected by United States Federal and/or State Law, including Patent, Trademark and/or Copyright laws.  
Manual design is protected by United States Federal and/or State Law, including Patent, Trademark and/or Copyright laws.



Minka-Aire® warrants to the original owner that this fan will be free from defects in material and workmanship for one year from the date of purchase, excluding the motor. Minka-Aire® warrants to the original owner that the motor in this fan shall be free from defects in This is a limited warranty. Minka-Aire® only obligation under this limited warranty is to replace or repair, or refund the purchase price, in Minka-Aire® sole discretion without charge to the original owner, of the fan once Minka-Aire® confirms that the fan has a defect covered by this limited warranty.

Call our customer service department at 1-800-307-3267 to obtain the name of the Minka-Aire® authorized dealer closest to your location, or contact us through our web site, [www.minkagroup.net](http://www.minkagroup.net) and write to: Ask Mr. Minka if you have any questions or require further assistance.

To obtain warranty service, the owner should return the fan along with proof of purchase to a Minka-Aire® authorized dealer. The Minka-Aire® authorized dealer shall then, at its sole discretion: repair the fan, replace the fan, refund the purchase price less the amount directly attributable to the consumer's prior usage of the fan, or if necessary instruct the consumer to contact Minka-Aire® directly for warranty service. Minka-Aire® will be responsible for the cost of any repair, or replacement for any warranty service provided by a Minka-Aire® authorized dealer for product under warranty.

You may also at your preference obtain warranty service by returning the fan directly to Minka-Aire® along with proof of purchase, your name and return address, and a description of the claimed product defect. Pack carefully; damage sustained in return transit to Minka-Aire® will be the original owner's responsibility. Original owner shall be responsible to pay all shipping charges. To obtain warranty service, you may return a fan that proves to be defective during the warranty period to the following address:

Minka-Aire® - Warranty Service, 1151 W. Bradford Court, Corona, CA 92882

This warranty shall not apply to fans which have been damaged in any way, including improper installation, damage as a result of the removal of the fan from the original installation, or damage in shipping. This warranty shall not apply to fans which have been subjected to use for which the fan was not designed. The purchaser of the fan shall be responsible for any cost of removing the old fan, installing a new fan, or any other costs.

This limited warranty is in lieu of all other express warranties. This limited warranty excludes all incidental and consequential damages, and Minka-Aire® shall not under any circumstances be liable for incidental or consequential damages. Some States do not allow the exclusion of or limitation of incidental or consequential damages, so the foregoing limitation or exclusion may not apply to you.

This warranty gives you specific legal rights, and you may also have other rights which vary from State to State. We encourage you to promptly complete and return the enclosed warranty registration card. However, return of the warranty registration card is not a condition of this warranty.

Date Purchased \_\_\_\_\_ Store Purchased \_\_\_\_\_ Model No. F544 Serial No. \_\_\_\_\_

# CONTENTS

SAFETY FIRST.....	1	INSTALLING THE LIGHT KIT & GLASS SHADE.....	6
PACKAGE CONTENTS .....	2	OPERATING THE REMOTE CONTROL/WALL CONTROL.....	7
HANGING THE FAN.....	3	CARE OF YOUR FAN .....	8
ELECTRICAL CONNECTIONS.....	4	TROUBLESHOOTING .....	9
ATTACHING THE BLADES .....	5	SPECIFICATIONS.....	10



1151W. Bradford Court, Corona CA 92882 For Customer Assistance Call: 1-800-307-3267



# 1

## ***SAFETY FIRST***

1. Before you begin installing the fan, shut power off at the circuit breaker of the fuse box.
2. Be cautious! Read all instructions and safety information before installing your new fan. Review accompanying assembly diagrams.
3. Make sure that all electrical connections comply with local codes, ordinances, or National Electrical Codes.  
Hire a qualified electrician or consult a do-it-yourself wiring handbook if you are unfamiliar with installing electrical wiring.
4. Make sure the installation site you choose allows the fan blades to rotate without any obstructions. Allow a minimum clearance of 7 feet from the floor and 18 inches from the tip of the blades to the wall.
5. If you are mounting the fan to a ceiling fan outlet box, use a U.L. Listed metal octagonal outlet box marked Acceptable for Fan Support. Secure the box directly to the building structure. The outlet box and its support must be able to support the moving weight of the fan (at least 50 pounds) Do not use a plastic box.
6. Caution: To reduce the risk of injury use only the screws provided with the outlet box in conjunction with the lock washers provided with the fan.
7. If you are mounting the fan to a joist, make sure it is able to support the moving weight of the fan (at least 50 pounds).
8. After you install the fan, make sure that all mounting components are secured to prevent the fan from falling.
9. Do not insert anything into the fan blades while the fan is operating.
10. Turn the fan off and wait for the blades to stop completely before reversing fan direction.

**NOTE:**The important safeguards and instructions appearing in this manual are not meant to cover all possible conditions and situations that may occur. It must be understood that common sense, caution and care are factors which can not be built into this product. These factors must be supplied by the person (s) installing, caring for and operating the unit.

**NOTE: READ AND SAVE ALL INSTRUCTIONS!**

**WARNING**

**TO REDUCE THE RISK OF FIRE, ELECTRIC SHOCK OR OTHER PERSONAL INJURY, MOUNT FAN ONLY TO A U.L. LISTED OUTLET BOX OR SUPPORTING SYSTEM MARKED ACCEPTABLE FOR FAN SUPPORT AND USE MOUNTING SCREWS PROVIDED WITH THE OUTLET BOX IN CONJUNCTION WITH THE LOCK WASHERS PROVIDED WITH THE FAN. MOST OUTLET BOXES COMMONLY USED FOR FAN SUPPORT OF LIGHTING FIXTURES ARE NOT ACCEPTABLE FOR FAN SUPPORT AND NEED TO BE REPLACED. CONSULT A QUALIFIED ELECTRICIAN IF IN DOUBT.**

**TO REDUCE THE RISK OF PERSONAL INJURY, tDO NOT BEND THE BLADE HOLDERS WHILE INSTALLING, BALANCING THE BLADES OR CLEANING THE FAN. DO NOT INSERT FOREIGN OBJECTS BETWEEN ROTATING FAN BLADES.**

**TO REDUCE THE RISK OF FIRE OR ELECTRIC SHOCK, DO NOT USE THIS FAN WITH ANY SOLID-STATE SPEED CONTROL DEVICE.**

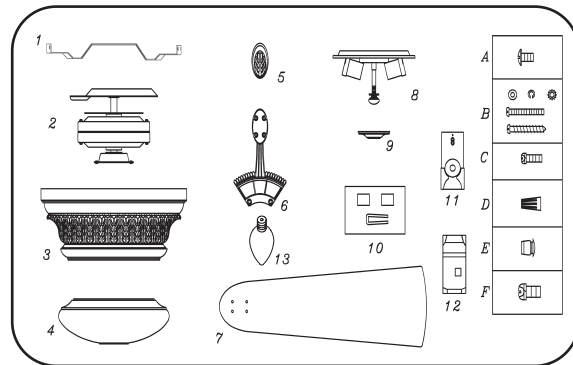
## 2

**PACKAGE CONTENTS**

1. Mounting bracket
2. Fan motor assembly
3. Fan housing
4. Glass
5. Medallion
6. Blade holder(5 pcs)
7. Fan blade(5 pcs)
8. Light Kit
9. Cap
10. Balancing kit
11. Hand Held Remote Transmitter with Wall Holster (includes 2

- mounting screws and A23, 12v battery)
12. Receiver pre-installed in fan motor.
13. 60W bulb (2pcs)
- A. Blade Attachment Hardware: 3/16"X8mm screws (21 pcs)
- B. Mounting Hardware : #8-32X38mm machine screws (2 pcs)  
#10X38mm wood screws (2 pcs)

- Spring washers (2 pcs)
- Star washers (2 pcs)
- Flat washers (2 pcs)
- C. Blade Holder Hardware: 1/4"X11mm screws (11 pcs)
- D. Wire Nuts (3 pcs)
- E. Plug (4 pcs)
- F. 1/4"X13mm screws (4 pcs)





## HANGING THE FAN

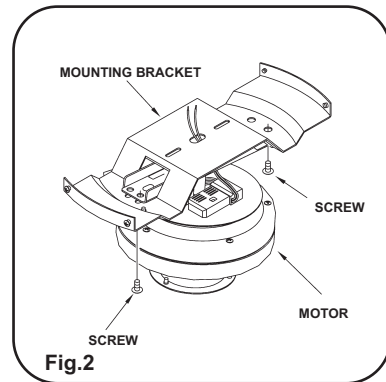
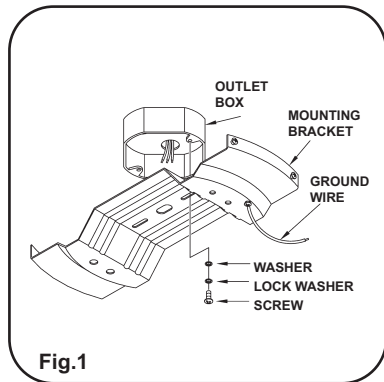
**Tools Required:** Phillips screw driver; slotted screw driver; step-ladder; wire cutters; electrical tape.

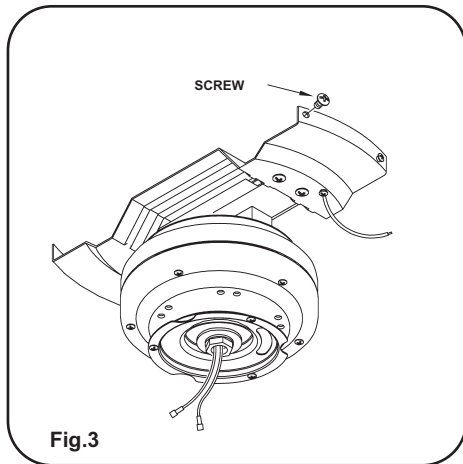
**WARNING:** All of the parts, hardware and components have been provided for your safety and the proper installation of your new ceiling fan. The use of other parts, hardware or components not supplied by Minka Aire® with the fan will void the Minka Aire® Warranty.

**REMEMBER** to turn off the power. Follow the steps below to hang your fan properly;

**Step 1.** Attach the mounting bracket to the outlet box with 2 screws and washers provided. Make sure the bracket is tight and secured (Fig. 1)

**Step 2.** Insert the bracket from the motor into the slot of the mounting bracket and install the bracket with 4 screws provided. Make sure the bracket is tight and secured (Figs. 2 and 3).





## *ELECTRICAL CONNECTIONS*

**WARNING:** To avoid possible electrical shock be sure electricity is turned off at the min fuse or breaker box before wiring.

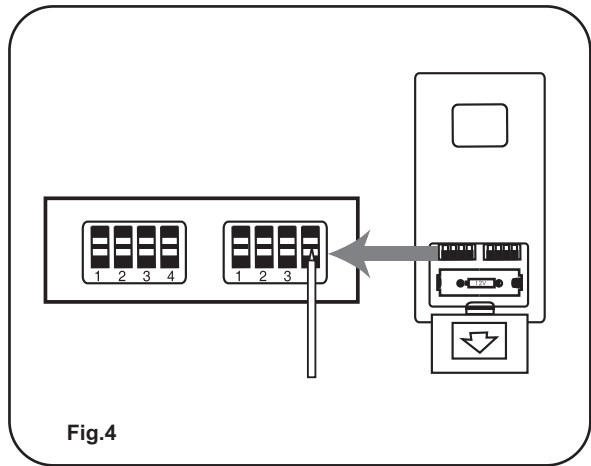
**Note:** The universal hand held remote control System is equipped with learning frequency function which has 256 code combinations to prevent potential interference from other remote units. The frequency on your Receiver and Transmitter units have been preset at the factory. (Fig.4). No frequency change is necessary, should you desire to install another fan within the same home or area with a separate frequency code please see the "frequency interference" troubleshooting section of this instruction manual to learn how to change the frequency.

Follow the steps below to connect the fan to your house supply wires. Use the wire nuts supplied with your fan. Secure the wire nuts by wrapping the connection with electrical tape.

**Step 1.** Connect the black (hot) wire from the ceiling to the black and the black wires from the fan. Connect the white (Neutral) wire from the ceiling to the white wire from the fan. (Fig. 4)

**Step 2.** If your outlet has a ground wire (Green or Bare Copper) connect the fan and mounting bracket ground wires to it, otherwise, connect the fan ground wire directly to the mounting bracket ground wire. (Fig. 5)

**Step 3.** Place motor housing over motor and align the holes to the mounting bracket. Secure with the 4 screws provided. (Fig. 6)



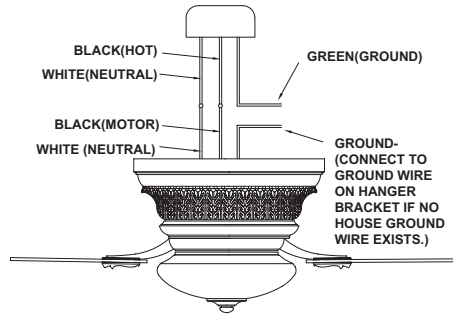


Fig.5

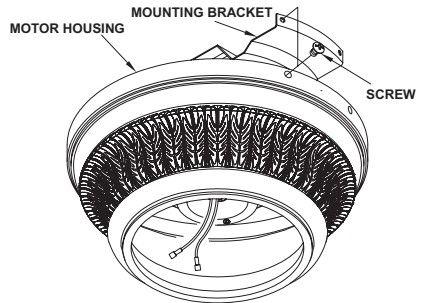


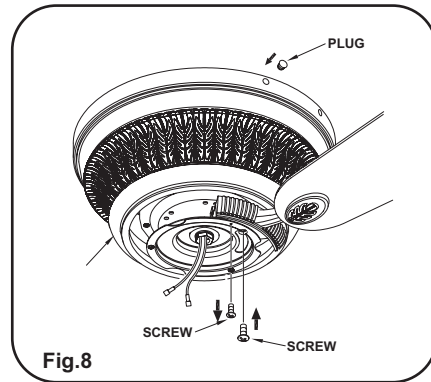
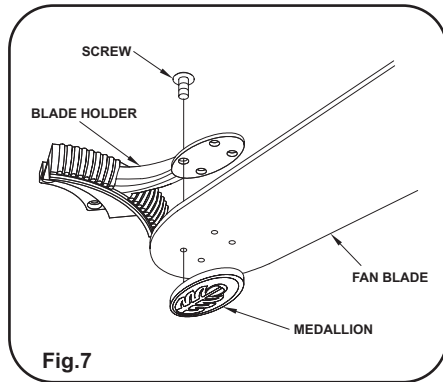
Fig.6

## ATTACHING THE BLADES

Step 1. Attach the fan blade to the medallion & the blade bracket using the screws provided. Tighten screws securely. Repeat for remaining blades. (Fig. 7)

Step 2. Align holes in blade bracket and motor and secure with proper screws. Repeat process with the other blade brackets. (Fig. 8)

Step 3. Use the 4 plugs provided to cover the motor housing screw holes. (Fig. 8)



## *INSTALLING THE LIGHT KIT & GLASS SHADE*

Use light bulb in accordance with the fan's specifications. **DO NOT EXCEED THE MAXIMUM WATTAGE RATING.**

Step 1. Remove 1 of the 3 screws from the lamp holder plate and loosen the other 2 (do not remove). (Fig. 9)

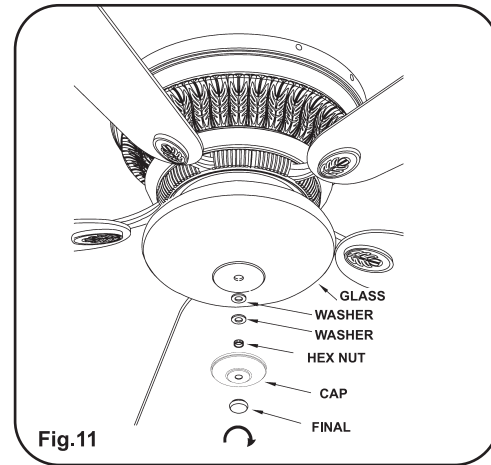
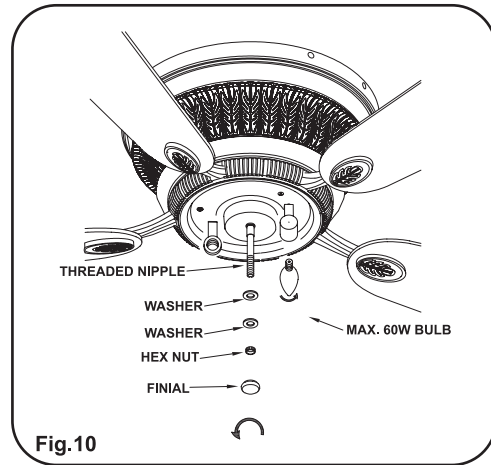
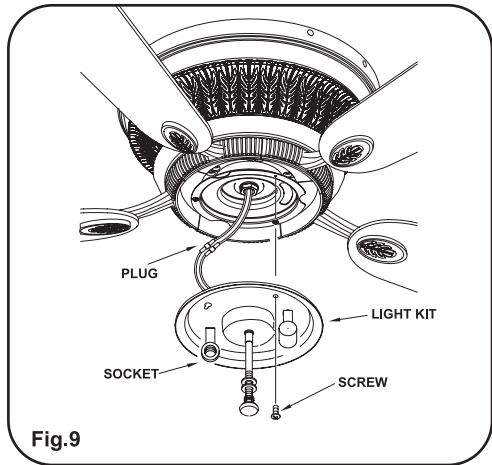
Step 2. Snap the connector plugs from the fan and light kit. Place the light kit plate over the two screws previously loosened (via the two key holes) and turn until it locks into place. Install the 3rd screw previously removed and securely tighten all three screws. (Fig. 9)

Step 3. Install 2-60W candelabra bulbs (included). (Fig. 10)

Step 4. Remove the finial, hex nut and washer from the threaded

nipple. (Fig. 10).

Step 5. Install the glass shade and secure with the the cap & the washers, nut and finial previously removed. (Fig. 11)





## OPERATING THE REMOTE CONTROL/WALL CONTROL

Remote Control fans only: Install the A23, 12v battery (included) . To prevent damage to transmitter remove the battery if not used for long periods of time.

### Restore Power to Ceiling Fan

#### A. ●●● Buttons:

These buttons are used to set the fan speeds as follows;

- = Low Speed
- = Medium Speed
- = High Speed

#### B. ■ Button:

This button turns the fan off.

#### C. Ⓢ Button:

These buttons turn the light ON or OFF and also

control the brightness settings of the light. The following instructions apply to ceiling fans that feature a DOWN light ( Ⓢ button) only or ceiling fans that feature a DOWN light ( Ⓢ button) that are controlled independent of each other;

Press and release the button for the desired light to turn the light ON or OFF. Press and hold the button to set the desired light brightness. The light will cycle between bright and dim settings as long as the button is pressed.

The light key has an automatic auto-resume feature that allows the light to remain at the same

brightness as the last time it was turned off.

D. OFF-ON Slide Button (Wall Control Fans Only) This button turns the power Off and On to the Fan and Light(s).

E. Ⓢ Button: (Full Function Remote Control Units Only) This button is used to change the direction of the rotation of the blades; forward for warm weather or reverse for warm weather.

## CARE OF YOUR FAN

Here are some suggestions to help you maintain your fan.

1. Because of the fan's natural movement, some connections may become loose. Check the support connections, brackets, and blade attachments twice a year. Make sure they are secure. (It is not necessary to remove fan from ceiling.)
2. Clean your fan periodically to help maintain its new appearance over the years. Do not use water when cleaning. This could damage the motor, or the wood, or possibly cause an electrical shock.
3. Use only a soft brush or lint-free cloth to avoid scratching the finish. The plating is sealed with a lacquer to minimize discoloration or tarnishing.
4. You can apply a light coat of furniture polish to the wood for

additional protection and enhanced beauty. Cover small scratches with a light application of shoe polish.

5. There is no need to oil your fan. The motor has permanently lubricated bearings.

6. All glass should be cleaned using lukewarm soapy water and a soft cloth or sponge. **DO NOT IMMERSE GLASS IN HOT WATER. DO NOT PUT GLASS INTO AN AUTOMATIC DISHWASHER.**

### WARNING

**MAKE SURE THE POWER IS OFF AT THE ELECTRICAL PANEL BOX BEFORE YOU ATTEMPT ANY REPAIRS. REFER TO THE SECTION, "MAKING ELECTRICAL CONNECTIONS".**

## TROUBLESHOOTING

### SYMPTOM

Fan will not start

### SOLUTION

1. Check to make sure the wall switch is turned on.
2. Check circuit fuses or breakers.
3. **Cantion!** Make sure the power is turned off before performing the following steps.
4. Remove canopy and check wire connections.
5. Check wall control transmitter connections (if applicable).
6. **Note:** Fan must be installed from a maximum distance of 40 feet from the transmitting unit for proper signal transmission between the transmitting unit and the fan's receiving unit.

### SYMPTOM

Lights shut off and will not come back on.

### SOLUTION

1. This unit is equipped with a wattage limiting device. Lamping in excess of 190 watts will disable your ceiling fans light kit. To reset your light kit you must turn the power off and relamp. Keeping the wattage under 190 watts. Restore power to your ceiling fan and continue normal operation.

### SYMPTOM

Fan/Light turn on and off unexpectedly

### SOLUTION

2. This is caused by interference. Please see "Frequency interference" for steps to change the frequency.

### SYMPTOM

Fan will not start

### SOLUTION

1. Allow a 24-hour "break in" period.  
Most noises associated with a new fan will go away during this time.
2. Make sure all blade attachment screws are tight.
3. Make sure outlet box is secured to building structure, if necessary use the wood screws provided to further secure outlet box to joist.
4. Make sure hanger bracket is secure to the outlet box, screws are tight.

### SYMPTOM

Fan Wobble

### SOLUTION

1. **NOTE:** All blade sets are grouped by weight. Because wood and plastic blades vary in density, the fan may wobble even though blades are matched.
2. Make sure all blade attachment screws are tight.
3. Make sure outlet box is secured to building structure, if necessary use the wood screws provided to further secure outlet box to joist.
4. Make sure hanger bracket is secure to the outlet box, screws are tight.
5. Use the balancing kit provided if the wobble is excessive (follow instructions included with balancing kit)

## SYMPTOM

Frequency interference

## SOLUTION

1. Turn the power off to your ceiling fan.
2. Please use a small size tool to change the frequency setting on the control system.
3. Return power to the unit Note: After the AC power is on, do not press any other button on the transmitter before pressing the "Stop" button, doing so will cause the procedure to fail.
4. Within 60 seconds of turning the Fan's AC power ON. Press the transmitter's "Stop" button for 10 seconds.
5. Once the receiver has detected the set frequency, the down light of your fan if applicable will blink twice. (there is no indication if your fan is not equipped with a light).
6. The receiver has now learn the frequency which has been selected on the transmitter. After completing the steps above, you should be able to operate the ceiling fan and light. If the fan is not responding to the transmitter, please turn the power off to the receiver, and repeat the process.

***SPECIFICATIONS***

Fan Size	Speed	Volts	Amp	Watts	RPM	CFM	N.W.	G.W.	V
52"	Low	120	0.3	12.8	62	2150			
	Med	120	0.483	34.1	105	3500	13.15 KGS	15.20KGS	2.75'
	High	120	0.7	79.8	165	6050			

These are typical readings. Your actual fan may vary. They do not include Amps and Wattage used by the light kit.

*For any additional information about your Minka-Aire® Ceiling Fan, please write to:*



1151 W. Bradford Court, Corona, CA 92882 • For customer assistance call: 1-800-307-3267

MKA9013110

← English Verison