

# INSTALLATION INSTRUCTIONS

Model #8799

READ AND SAVE THESE INSTRUCTIONS

**WARNING! SHUT POWER OFF AT FUSE OR CIRCUIT BREAKER.**

**AVERTISSEMENT! COUPER LE COURANT AU NIVEAU DES FUSIBLES OU DU DISJONCTEUR.**

## PREPARING FOR INSTALLATION (Fig. 1)

1. Shut off power at the circuit breaker and remove the old fixture including the mounting hardware.
2. Carefully unpack your new fixture and lay out all the parts in a clear area. Take care not to misplace any small parts necessary for installation.
3. Remove cap nut (F).
4. Pull black and white wires out of electrical outlet box (A).
5. Attach crossbar bar (B) using outlet box screws (D) to outlet box (A). The side of the crossbar bar marked "GND" must face out (Fig 1).

## CONNECTING THE WIRES (Fig. 2)

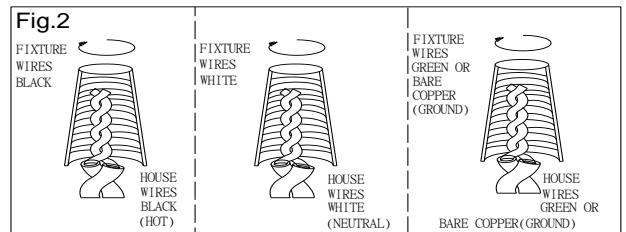
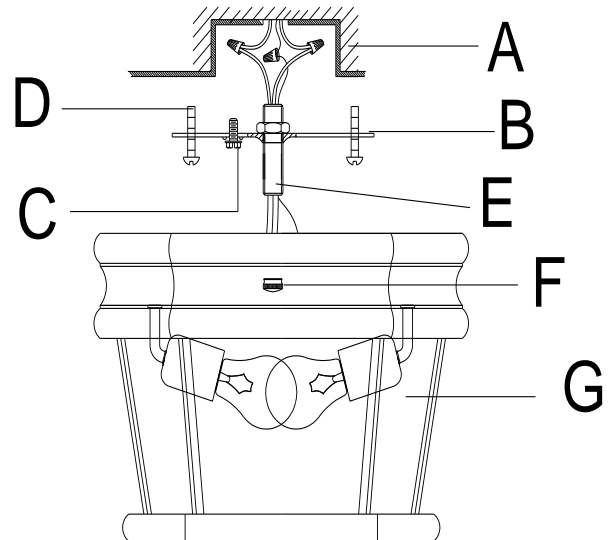
6. Connect the electrical wires as shown in Fig.2. Making sure that all wire connectors are secured. If your outlet box has a ground wire (green or bare copper), connect the fixture's ground wire to it. Otherwise, connect the fixture's ground wire directly to the cross bar using the green screw (C) provided.

## COMPLETING THE INSTALLATION (Fig. 1)

7. Align cage (G) onto nipple (E) and secure with cap nut (F). (Fig 1)
8. Install 2\*60W/E26/A bulb (no bulb included) in accordance with the fixture specification.—**DO NOT EXCEED THE MAXIMUM WATTAGE RATING! (NE PAS DEPASSER LA PUISSANCE NOMINALE MAXIMALE!)**

Your installation is now complete. Return power to the outlet box and test the fixture.

Fig. 1



**“CAUTION-RISK OF FIRE. CONSULT A QUALIFIED ELECTRICIAN TO ENSURE CORRECT BRANCH CIRCUIT CONDUCTOR”**

**ATTENTION – RISQUE D’INCENDIE, CONSULTER UN ÉLECTRICIEN QUALIFIÉ POUR VOUS ASSURER QUE LES CONDUCTEURS DE LA DÉRIVATION SONT ADÉQUATS.**