

# INSTALLATION INSTRUCTIONS

For Model 8765, 8766

READ AND SAVE THESE INSTRUCTIONS

**WARNING! SHUT POWER OFF AT FUSE OR CIRCUIT BREAKER.**

**AVERTISSEMENT! COUPER LE COURANT AU NIVEAU DES FUSIBLES OU DU DISJONCTEUR.**

## PREPARING FOR INSTALLATION (Fig. 1)

1. Shut off the power at the circuit breaker and remove the old fixture.
2. Carefully unpack your new fixture and lay out all the parts on a clear area. Take care not to lose any small parts necessary for installation.
3. Carefully remove screws (B) to separate top cover (A) from fixture body (C).

## CONNECTING THE WIRES (Fig. 2)

4. While supporting the fixture, connect the electrical wires as shown in figure 2. If your post has a ground wire (green or bare copper), connect the fixture ground wire to it. If not, consult your electrician for proper grounding. After the wires are connected, tuck them carefully inside the post (A).

## COMPLETING THE INSTALLATION (Fig.1)

5. Align the fixture (C) to post (E), and secure with mounting screws (D).
6. Install the bulb(s) (8765 3\*60W E12) (8766 1\*100W A19) in accordance with the fixtures specifications. **DO NOT EXCEED THE MAXIMUM WATTAGE RATING! (NE PAS DEPASSER LA PUISSANCE NOMINALE MAXIMALE!)**
7. Re-attached top cover (A) to fixture body (C) with screws (B).

Your installation is now complete. Return power to the junction box and test the fixture

Fig.1

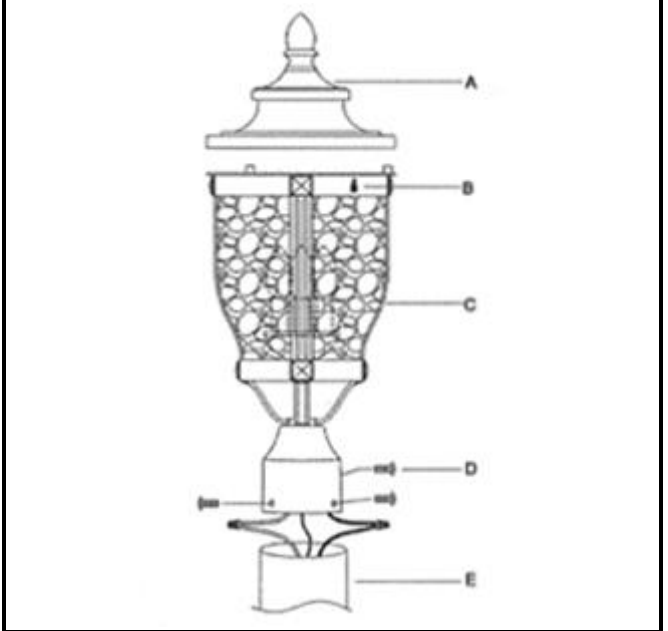


Fig. 2

