

INSTALLATION INSTRUCTIONS

For Model 8764

WARNING! SHUT POWER OFF AT FUSE OR CIRCUIT BREAKER.

AVERTISSEMENT! COUPER LE COURANT AU NIVEAU DES FUSIBLES OU DU DISJONCTEUR.

PREPARING FOR INSTALLATION (Fig. 1)

1. Shut off the power at the circuit breaker and remove the old fixture, including the mounting hardware. Carefully unpack your new fixture and lay out all the parts on a clear area. Take care not to lose any small parts necessary for installation.
2. Thread nipple (E) into crossbar (A) and secure with lock washer (D) and hex nut (C) until snug. Thread the other end of nipple into chain loop (G). Take this crossbar assembly and mount to the ceiling outlet box with screws (B). The side of the cross bar marked "GND" must face out.
3. Use a pair of proper chain pliers to open one end link of the chain provided and connect to the fixture loop (I). Close the link. Determine correct number of links needed for proper hanging height. Remove and discard excess chain.
4. Carefully lace the fixture wires through the chain. Slip lock collar (H) followed by canopy (F) over the chain and allow them to rest on the fixture top cover (J). Open the other end link of chain and hang the fixture onto chain loop (G). Close the link. Carefully feed the fixture wires through chain loop (G) and nipple (E).

CONNECTING THE WIRES (Fig. 2)

5. Connect the electrical wires as shown in Fig.2. Making sure that all wire connectors are secured. If your outlet box has a ground wire (green or bare copper), connect the fixture's ground wire to it. Otherwise, connect the fixture's ground wire directly to the circular strap using the green screw provided.

COMPLETING THE INSTALLATION (Fig.1)

6. Align canopy (F) to the ceiling and secure with lock collar (H) to chain loop (G).
7. Install 3*60W/E12/B bulb (not included) in accordance with the fixture's specification

DO NOT EXCEED THE MAXIMUM WATTAGE RATING! (NE PAS DEPASSER LA PUISSANCE NOMINALE MAXIMALE!)

8. Attach the fixture body (M) to top cover (J) with cap nuts (K).

Your installation is now complete. Return power to the junction box and test the fixture



Notice: It is important to use proper chain pliers (not included) To OPEN and CLOSE the chain included with this fixture. Do not open them with other tools that may twist or stress the chain links. It is important to use proper chain pliers like the ones shown in the diagram.

Fig. 1

Set A #A-016

-Cross bar

-Ground Screw

-Mounting Screws(2)

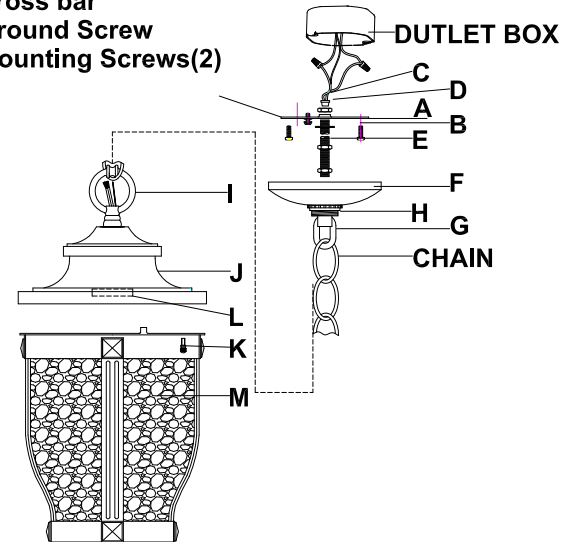


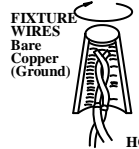
Fig. 2



HOUSE WIRES
Black
(Hot)



HOUSE WIRES
White
(Neutral)



HOUSE WIRES
Green or
Bare
Copper(G)

