

INSTALLATION INSTRUCTIONS

Model # 8845/8755

READ AND SAVE THESE INSTRUCTIONS

WARNING! SHUT POWER OFF AT FUSE OR CIRCUIT BREAKER.

AVERTISSEMENT! COUPER LE COURANT AU NIVEAU DES FUSIBLES OU DU DISJONCTEUR.

PREPARING FOR INSTALLATION (Fig. 1)

1. Shut off power at the circuit breaker and remove the old fixture including the mounting hardware.
2. Carefully unpack your new fixture and lay out all the parts in a clear area. Take care not to misplace any small parts necessary for installation.
3. Pull the black, white and ground wires out of post (J).

CONNECTING THE WIRES (Fig. 2)

4. Connect the electrical wires while supporting the lantern. If your post has a ground wire (green or bare copper), connect the fixture ground wire to it. If not, consult your electrician for proper grounding. After wires are connected, tuck them carefully inside the post cup (H) (Fig.2).

COMPLETING THE INSTALLATION (Fig. 1)

5. Align the lantern with post (J) and secure with screws (I). (Fig.1)
6. At this point, unscrew screws (G) to remove top cover (E) and install the light bulb(s) in accordance with the fixture specification –**DO NOT EXCEED THE MAXIMUM WATTAGE RATING! (NE PAS DEPASSER LA PUISSANCE NOMINALE MAXIMALE!)**
7. Place the finial (A) with the rubber washer (B) into the top cover (E) and secure with lock washer (C) and the hex nut (D) from inside of top cover (E).
8. Replace top cover (E) and secure with screws (G).

Your installation is now complete. Return power to the outlet box and test the fixture.

Fig. 1

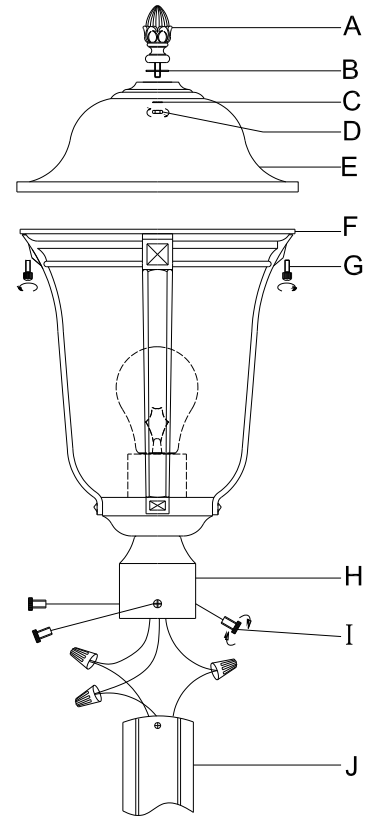
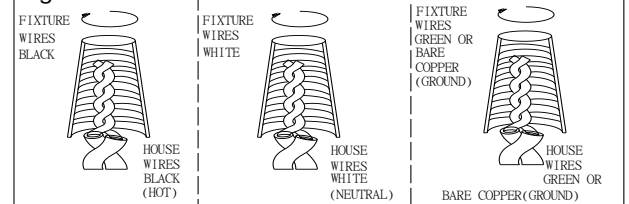


Fig.2



“CAUTION-RISK OF FIRE CONSULT A QUALIFIED ELECTRICIAN TO ENSURE CORRECT BRANCH CIRCUIT CONDUCTOR”

ATTENTION – RISQUE D’INCENDIE, CONSULTER UN ÉLECTRICIEN QUALIFIÉ POUR VOUS ASSURER QUE LES CONDUCTEURS DE LA DÉRIVATION SONT ADÉQUATS.