

INSTALLATION INSTRUCTIONS

For Model 8281-A61

READ AND SAVE THESE INSTRUCTIONS

WARNING! SHUT POWER OFF AT FUSE OR CIRCUIT BREAKER.

AVERTISSEMENT! COUPER LE COURANT AU NIVEAU DES FUSIBLES OU DU DISJONCTEUR.

MOUNTING THE FIXTURE (Fig.1)

1. Shut off the power at the circuit breaker and remove the old fixture, including the mounting hardware.
2. Carefully unpack your new fixture and lay out all the parts on a clear area. Take care not to lose any small parts necessary for installation.
3. Attach the crossbar (A) to the outlet box using the screws (B). The side of the crossbar (A) marked "GND" must face out.
4. Thread the nipple (C) partially into the center of the crossbar (A). Note: The length of nipple (C) into crossbar (A) may be adjusted.

CONNECTING ELECTRICAL (Fig.2)

5. At this point, Connect the electric wires as shown in Fig 2 marking sure that all wire nuts are secured. If your outlet box has a ground wire (green or bare copper), connect the fixture's ground wire to it, otherwise, connect the fixture's ground wire directly to the crossbar using the green screw provided.

COMPLETING THE INSTALLATION

6. After wires are connected, tuck them carefully inside the junction box as you place the fixture body (D) over the nipple (C) and secure with knurled nut (E). (Fig.1).
7. To prevent moisture from entering the outlet box and causing a short, use clear caulking (ie. Indoor /Outdoor Silicone Sealant) to outline the outside of fixture backplane where it meets the wall leaving a space at bottom to allow moisture a means to escape (Fig.3)
8. **Install 1*60W A15 bulb (not included) in accordance with the fixture's specification. (DO NOT EXCEED THE SPECIFIED WATTAGE!) (NE PAS DEPASSER LA PUISSANCE NOMINALE MAXIMALE!).**

Your installation is now complete. Return power to the junction box and test the fixture.

Note: Illustration (Fig. 1) on this manual is for installation purposes only. It may or may not be identical to the fixture purchased.

Fig. 1

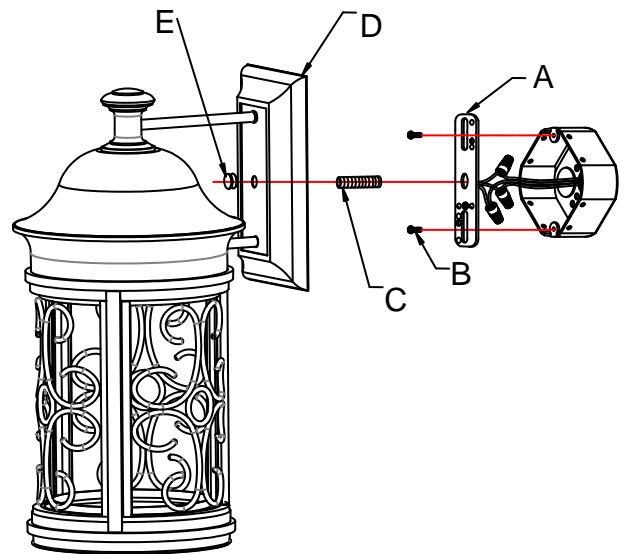


Fig. 2

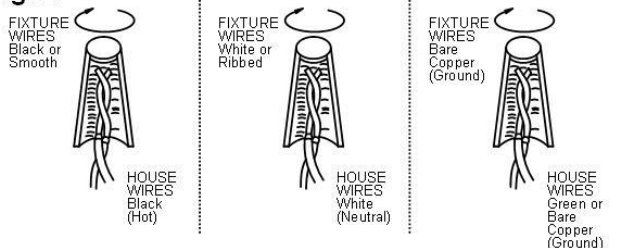


Fig. 3

