

## INSTALLATION INSTRUCTION FOR SEMI FLUSH MOUNT CEILING FIXTURE 721

**WARNING! SHUT OFF THE POWER AT FUSE OR CIRCUIT BREAKER.**

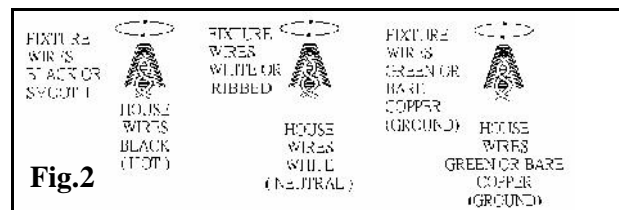
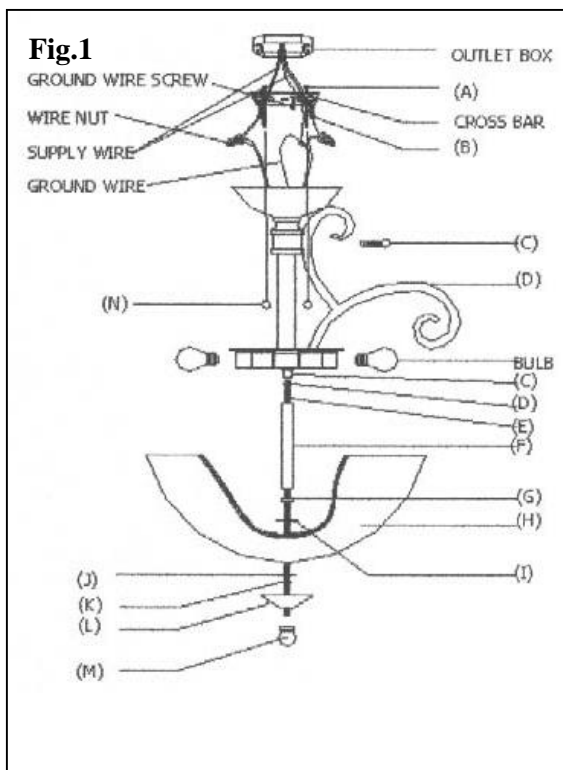
### ASSEMBLY THE FIXTURE

1. Carefully unpack the fixture from the package. Lay out all the parts on a clear area. Take care not to lose any small parts necessary for installation.
2. Spread the folded arms (D) to the even position (See Fig.1). Secure the arms onto fixture center tube by passing the ball screws (C) through the hole on the arm and threading into the center tube of fixture.
3. Thread the center stem (E) into the coupling (C), thread and tighten by adjust the location of the hex nut (D) on the center stem for mounting the lower parts of the fixture onto the center stem (E).
4. Slide the spacer (F), check ring (G), Rubber Gasket (I) and Glass shade (H), Washer (J) over the center stem (E) in turn, (See Fig.1); and then secure them by the bottom hex nut (K).
5. Slide the bottom cap (L) over the center stem and fix it by the finial (M) tightly.

### MOUNTING THE FIXTURE

1. Shut off the power supply at the fuse box or circuit breaker. Remove the old fixture from ceiling, including the old cross bar.
2. Carefully unpack your new fixture and lay out all the parts on a clear area. Take care not to lose any small parts necessary for installation.
3. Thread the 2 mounting screw (A) about 1/4" into the pre-drilled holes in the Crossbar spaced the same distance apart as the holes in the fixture. (See Fig.1)
4. Attached the Crossbar to the outlet box by using the 2 Screws (B) from the outlet box. The side of the Crossbar marked "GND" must face out.
5. Hold the fixture towards the Crossbar and connect the electrical wires as follows (See Fig. 2). Connect the black wire from the fixture to the black house (HOT) wire; connect the white wire from the fixture to the white house (Neutral) wire. Make sure all wire nuts are secured. You may wrap up the connections with electrical tape. If your outlet box has ground wire (Green or Bare Copper) connect fixture's ground wire to it. Otherwise, attach the bare copper fixture wire to the green ground screw on the Cross bar (B). Tuck the wire connections neatly into the ceiling junction box as you holding the fixture assembly toward the ceiling.
6. Finishing mounting the fixture by placing it over both mounting screws (A) so that the screws protrude through the mounting holes in the canopy of the fixture, and then Secure the fixture by tighten 2 ball nuts (N) onto the mounting screws (A).
7. Install the light bulbs in accordance with the fixture's specifications. **DO NOT EXCEED THE MAXIMUM WATTAGE RATING!**

Your installation is now complete. Turn on the power supply of the junction box to test the fixture.



american  
lighting  
association