

INSTALLATION INSTRUCTION FOR FIXTURE 720-355

WARNING! SHUT OFF THE POWER AT FUSE OR CIRCUIT BREAKER.

MOUNTING THE FIXTURE

1. Shut off the power supply at the fuse box or circuit breaker box. Remove the old fixture from ceiling. Including the old cross bar.
2. Carefully unpack your new fixture and lay out all the parts on a clear area. Take care not to lose any Small parts necessary for installation.
3. Take the glass shade (G) out from the metal frame of the fixture body (D).
4. Thread the mounting nipple (A) through the mounting screw hole of the Cross Bar (The Side Without "GND" mark).
5. Attach Cross bar (B) to the Outlet box by using 2 Box Screws (C). The side of the Cross Bar (A) marked "GDN" must face out.
6. Follow the wiring instructions carefully (See Fig.2).
7. Attach the fixture main body (D) onto the outlet box by protruding the mounting nipple through the mounting screw holes on the fixture back plate, then tighten it with the cap nuts (E).
8. Take off the bubble bag outside the glass shade (G). Put the glass shade (G) inside the metal frame (D).
9. Install the light bulb in accordance with fixture's specifications. **DO NOT EXCEED THE MAXMUM WATTAGE RATING!**

Wiring (See fig.2)

1. Connect the electrical wires as follows. Connect the black wire from the fixture to the black (HOT) house wire. Connect the white wire from the fixture to the white (Neutral) house wire. Make all the wire nut was secured. You may wrap the connections with electrical tape. If your outlet box has a ground wire (Green or Bare Copper) connect fixture's ground wire to it. Otherwise, attach the bare copper fixture wire to the green ground screw on the cross bar.
2. Tuck the wire connections neatly into the ceiling junction box.

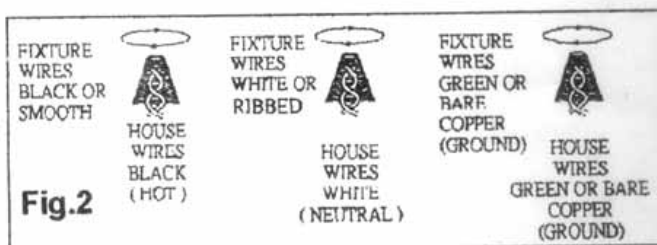
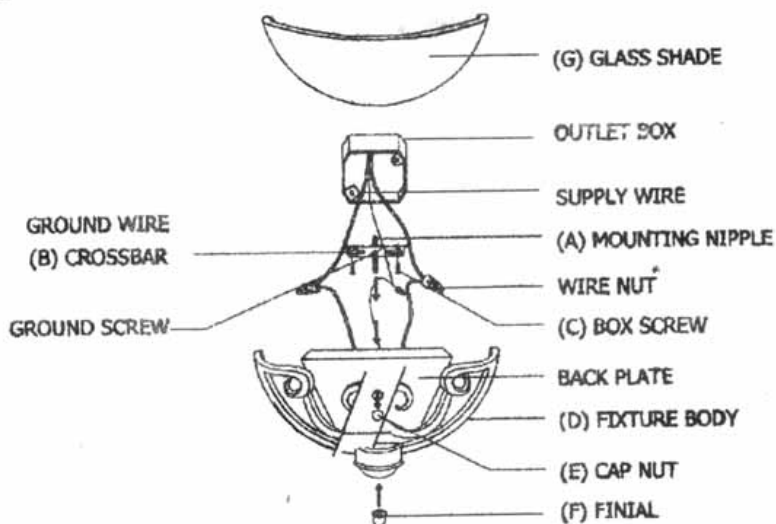


Fig.1



MIN 90°C SUPPLY CONDUCTORS



american
lighting
association