

INSTALLATION INSTRUCTION for #20-91 (Rev. 9/25/97)

WARNING! SHUT POWER OFF AT FUSE OR CIRCUIT BREAKER.

ASSEMBLING THE FIXTURE (Fig. 1)

1. Shut off power at the circuit breaker and remove the old fixture including crossbar.
2. Lay support ring on a flat padded surface. Set glass shade inside of support ring.
3. With the light assembly standing upright, connect drop rods to arm body. (Fig. 1)
4. Hold light assembly over glass shade. Lift support ring and connect the bottom end of drop rods to support ring. You are now ready to hang the fixture. It's best at this point to handle the fixture only by its loop.

HANGING THE FIXTURE (Fig. 2)

1. Thread nipple (C) into loop (F) until snug.
2. Thread other end of nipple (C) with loop attached into crossbar (D) until snug.
3. Place lock washer (B) over end of nipple protruding through crossbar and thread hex nut (A) onto nipple until tight.
4. Take this crossbar assembly and mount to ceiling junction box with junction box screws (E). Tighten screws securely with screwdriver.
5. Slip loop collar (H) over the chain then do the same with the Canopy (G).
6. Open the other end link of the chain and hang the fixture on the loop at the ceiling (F). Close the link.
7. Feed the fixture wires through the loop (F), and nipple (C) and pull until taut.

CONNECTING THE WIRES (Fig. 3 & 4)

1. At this point, connect the electrical wires as shown in (Figure 3) making sure all wire nuts are secured. You may have to wrap the connections with electrical tape. If your outlet has a ground wire (green or bare copper) connect fixtures ground wire to it. Otherwise connect fixtures ground wire directly to the crossbar (D) using the green screw provided.
2. Tuck these wire connections neatly into the ceiling junction box and then raise the canopy (G) all the way to the ceiling. Raise the lock collar (H) and thread onto ceiling loop (F) protruding through canopy. (Fig. 3)
3. Install the light bulbs in accordance with the fixture's specifications. **DO NOT EXCEED THE MAXIMUM WATTAGE RATING!**
4. To mount light shield, place it over studs on support plate of light cluster. Drop in washers and tighten with knurled knobs. (Fig. 4)

Your installation is now complete. Return power to the junction box and test the fixture.

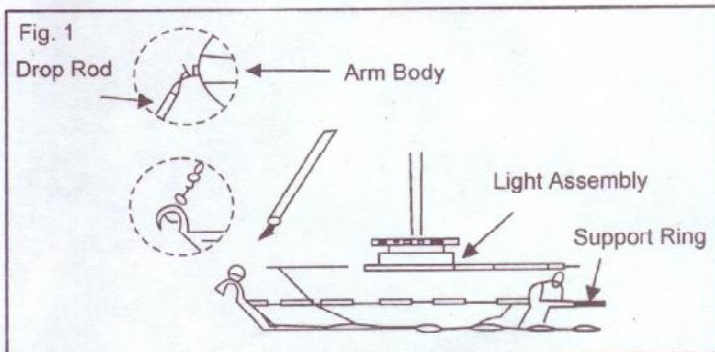


Fig. 2

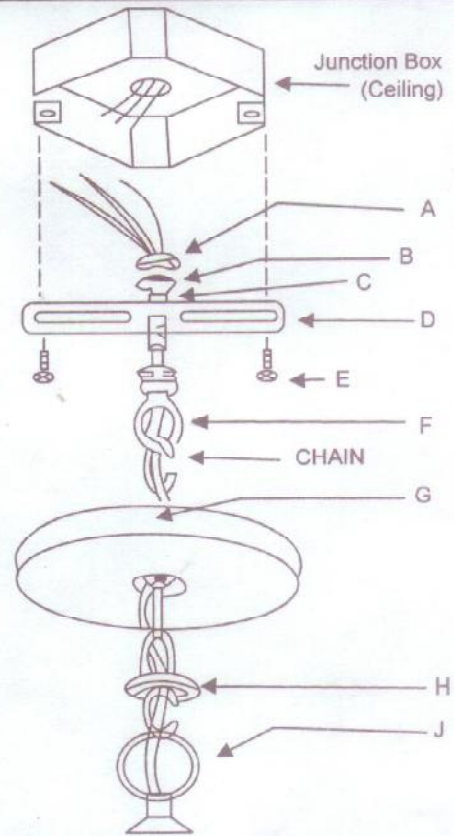
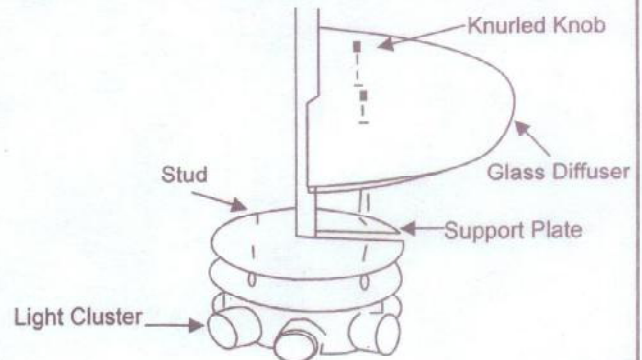
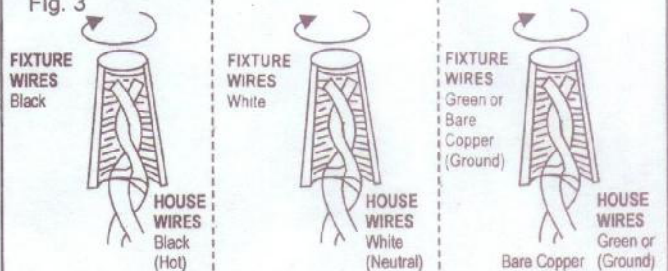


Fig. 3



american
lighting
association

LA-196E