

INSTALLATION INSTRUCTIONS FOR 4758-206

©Minka Lighting, Inc.

This product is protected by United States Federal and/or State Law, including Patent and/or Copyright laws.

WARNING! SHUT POWER OFF AT FUSE OR CIRCUIT BREAKER.
AVERTISSEMENT! COUPER LE COURANT AU NIVEAU DES FUSIBLES OU DU DISJONCTEUR.

Carefully unpack your new fixture and lay out all the parts in a clear area. Make sure not to misplace any small parts necessary for installation.

ASSEMBLING THE FIXTURE (Fig.2)

1. Return the eight arms to suitable position, see figure.2
2. Attach the loop (A) to center of the fixture body (B) by turning it clockwise until tight.
3. Attach the arm (L) to the bottom of the fixture body (B), then tighten it with the coupling (C), thread the pipe nipple (K) into bottom of the coupling (C) and lock it securely with the hex nut (J), attach the twist tubing (M) through the center of the arm (L) onto the pipe nipple (K), then lock it with the small loop (N) of the acryl.
4. Place the socket sleeve (I) and the spider ring (H) over the socket of the fixture body (B), then lock it securely with the check ring (G). Install the light bulb (NOTE: DO NOT EXCEED THE SPECIFIED WATTAGE!) and put the glass shade (F) on to the spider ring (H), then put the decorative frame (E) over the glass shade (F).
5. Attach the crystal (D) to the small ring of the arm as shown.
6. Install the light bulbs (not included) in accordance with the fixture's specifications: **DO NOT EXCEED THE MAXIMUM WATTAGE RATING! (NE PAS DEPASSER LA PUISSANCE NOMINALE MAXIMALE!)**

HANGING THE FIXTURE (Fig.1)

IMPORTANT: For a safe and secure installation, this fixture must be installed by means of support that is independent of the outlet box.

SUGGESTED INSTALLATION:

1. Shut off the power at the circuit breaker and remove old fixture from ceiling, including the old crossbar.
2. Provide a 1/4" IPS pipe with one end securely mounted to a beam or a structural member. The other end should protrude through the center of the outlet box as shown.
3. Assemble the ceiling loop, nipple, nuts and hickey to center 1/4"IPS support pipe and adjust overall length to allow the lock collar to hold the canopy flush to the ceiling. When the adjustments have been completed, secure the three (3) nuts, as shown.
4. Attach the chain to the fixture loop (A). Slip the lock collar and the canopy (A) and the canopy (B) over the upper end of the chain. Open the end link of the chain and lift the fixture to attach to the ceiling loop and secure the link.
5. Lace the fixture wires, ground wire and safety cable through the chain and loop, exiting through the side of hickey. Run the safety cable through the top of the outlet box and secure to structural member.

CONNECTING THE WIRES (Fig.3)

1. At this point, connect the electrical wires as shown in Fig.3 making sure all wire nuts are secured. You may have to wrap the connections with electrical tape. If your outlet has a ground wire (green or bare copper), connect fixture's ground wire to it. Otherwise connect fixture's ground wire directly to the junction box.
2. Tuck these wire connections neatly into the ceiling junction box.
3. Raise the lock collar and thread onto ceiling loop protruding through the canopy (B) and the canopy (A).

Your installation is now complete. Return power to the junction box and test the fixture

Fig.1

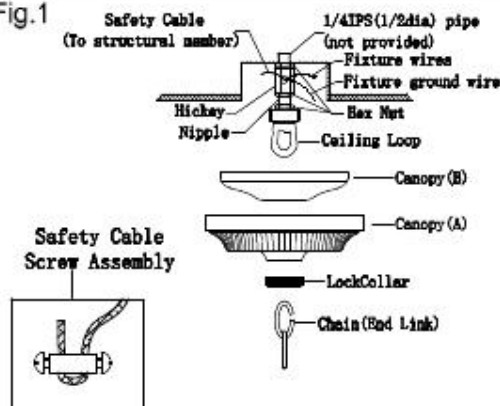
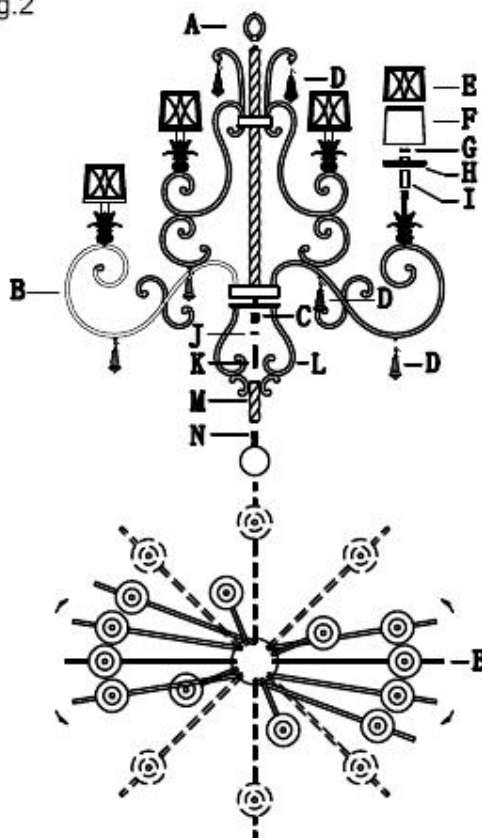


Fig.2



CHAIN HUNG FIXTURE INSTRUCTION

Notice: It is important to use proper chain pliers (not included) to OPEN and CLOSE the chain included with this fixture. Do not open them with other tools that may twist or stress the chain links. It is important to use proper chain pliers like the ones shown in the diagram.

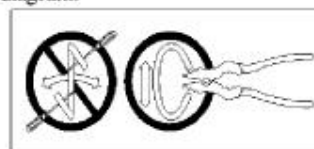


Fig.3

FIXTURE WIRES	HOUSE WIRES	FIXTURE WIRES	HOUSE WIRES	FIXTURE WIRES	HOUSE WIRES
Black or Smooth	Black (Hot)	White or Ribbed	White (Neutral)	Bare Copper (Ground)	Bare Copper (Ground)
					Green or
					Bare Copper (Ground)

cETLus
Intertek

american
lighting
association