

# INSTALLATION INSTRUCTIONS FOR 4746-206

©Minka Lighting, Inc.

This product is protected by United States Federal and/or State Law, including Patent and/or Copyright laws.

**WARNING! SHUT POWER OFF AT FUSE OR CIRCUIT BREAKER .**  
**AVERTISSEMENT! COUPER LE COURANT AU NIVEAU DES FUSIBLES OU DU DISJONCTEUR.**

Carefully unpack your new fixture and lay out all the parts in a clear area. Make sure not to misplace any small parts necessary for installation.

### ASSEMBLING THE FIXTURE (Fig. 2)

1. Attach the fixture column (B) with loop (A) to the fixture body (J) by turning it clockwise until tight.
2. Install the light bulbs (not included) in accordance with the fixture's specifications: **DO NOT EXCEED THE MAXIMUM WATTAGE RATING! (NE PAS DEPASSER LA PUISSANCE NOMINALE MAXIMALE!)**
3. Place the two glass plates (L) over the fixture body (J). (Smooth side will be on the bottom), attach washer (K) and lock securely with nut (M).
4. Place the glass plate (E) and the glass plate (F) into the iron frame (G) and press firmly to seat the glass.
5. Hook the end of the arm (C) to the hook on the fixture column (B).
6. Hook the end of the arms (D) to the hook on the iron frame(G).  
 (NOTE: You must first hook the two opposite end of the arms (D) to the top of the iron frame (G), as shown (Fig.4). Then join arms (C) and the ring of the arms (D).
7. Raise the arms (N) to the bottom center of the iron frame (G), aligning the hole with nipple and screw it with small ring (I).
8. Attach the crystal (H) to the leaf of the arm as shown.

### HANGING THE FIXTURE (Fig. 1)

**IMPORTANT: For a safe and secure installation, this fixture must be installed by means of support that is independent of the outlet box.**

### SUGGESTED INSTALLATION:

1. Shut off the power at the circuit breaker and remove old fixture from ceiling, including the old crossbar.
2. Provide a 1/4" IPS pipe with one end securely mounted to a beam or a structural member. The other end should protrude through the center of the outlet box as shown.
3. Assemble the ceiling loop, nipple, nuts and hickey to center 1/4"IPS support pipe and adjust overall length to allow the lock collar to hold the canopy flush to the ceiling. When the adjustments have been completed, secure the three (3) nuts, as shown.
4. Attach the chain to the fixture loop (A). Slip the lock collar and the canopy (A) and the canopy (B) over the upper end of the chain. Discard un-need chain at this time. Open the end link of the chain and lift the fixture to attach to the ceiling loop and secure the link.
5. Lace the fixture wires, ground wire and safety cable through the chain and loop, exiting through the side of hickey. Run the safety cable through the top of the outlet box and secure to structural member.

### CONNECTING THE WIRES (Fig.3)

1. At this point, connect the electrical wires as shown in Fig.3 making sure all wire nuts are secured. You may have to wrap the connections with electrical tape. If your outlet has a ground wire (green or bare copper), connect fixture's ground wire to it. Otherwise connect fixture's ground wire directly to the junction box.
2. Tuck these wire connections neatly into the ceiling junction box.
3. Raise the lock collar and thread onto ceiling loop protruding through the canopy (B) and the canopy (A).

Your installation is now complete. Return power to the junction box and test the fixture.

Fig.3

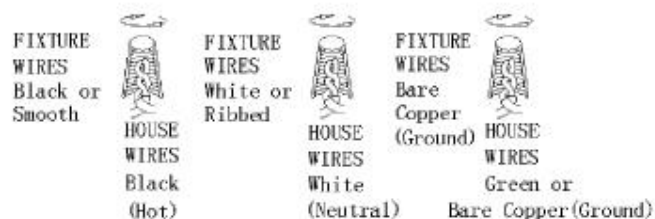


Fig.1

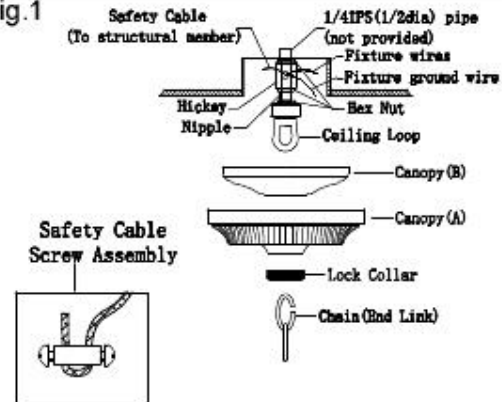
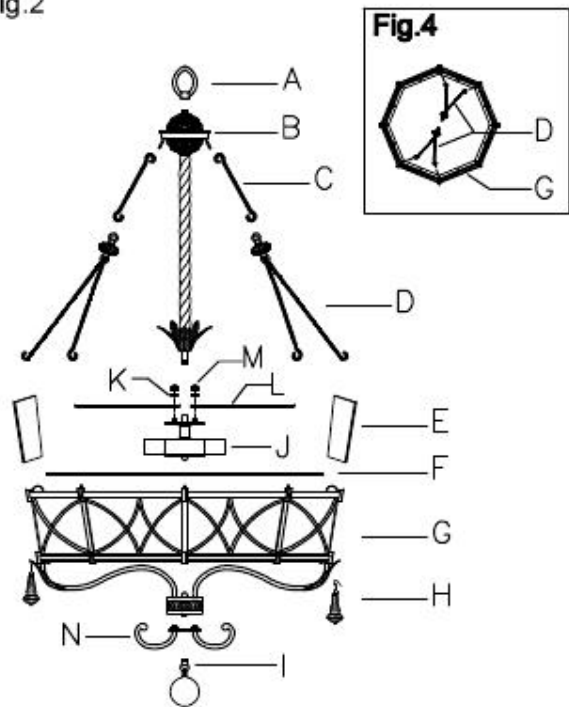
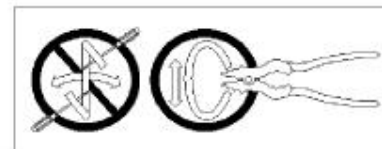


Fig.2



### CHAIN HUNG FIXTURE INSTRUCTION

Notice: It is important to use proper chain pliers (not included) To OPEN and CLOSE the chain included with this fixture. Do not open them with other tools that may twist or stress the chain links. It is important to use proper chain pliers like the ones shown in the diagram.



**cETLus**  
Intertek

american  
lighting  
association