

# INSTALLATION INSTRUCTION FOR 1429

**WARNING! SHUT POWER OFF AT FUSE OR CIRCUIT BREAKER .  
AVERTISSEMENT! COUPER LE COURANT AU NIVEAU DES FUSIBLES OU DU DISJONCTEUR.**

READ AND SAVE THESE INSTRUCTIONS

## ASSEMBLING THE FIXTURE (Fig. 2)

- Carefully remove the fixture from the carton and check that all parts are included as shown in the illustration.
- Thread the loop (J) onto the nipple (K).
- Spread the arms (K1, K2) so that the arms (K1, K2) are at equal distance from each other.
- Place the glass (Q) over the socket (P), and secure in place with retaining ring (R).
- Allowing the nipple (L) to pass through the hole of the panel (M) and the cap (N), then secure with finial (O).

## HANGING THE FIXTURE (Fig. 1)

- Shut off the power at the circuit breaker and remove old fixture from ceiling, including the mounting bar.
- Thread the nipple (E) into screw collar (H) until snug.
- Thread hex nut (D) onto nipple (E), Place lock washer (C) over end of nipple (E) protruding through mounting bar and until tight.
- Thread other end of nipple (E) with screw collar (H) attached into mounting bar (A) until snug.
- Take this mounting bar (A) assembly and mount to ceiling junction box with junction box screws (B). Tighten screws securely with screwdriver.
- Using proper chain pliers to open one end link of the chain (I) (provided) and connect to the fixture Loop (J). Close the link. (Fig.2)
- By measuring, determine correct number of links needed for proper hanging height. Using proper chain pliers, disconnect and discard remaining chain.
- Lace the fixture wires through the chain links. Slip loop collar (G) over the chain, then do the same with the canopy (F).
- Open the other end of the chain (I) (provided) and connect to screw collar (H). Close the link.
- Feed the fixture wires through the screw collar (H), and nipple (E) and pull until taut.

## CONNECTING THE WIRES (Fig. 3)

- At this point, connect the electrical wires as shown in (Fig. 3) making sure all wire nuts are secured. You may have to wrap the connections with electrical tape. If your outlet has a ground wire (green or bare copper) connect fixture's ground wire to it. Otherwise connect fixture's ground wire directly to the mounting bar (A) using the green screw provided.
- Tuck these wire connections neatly into the ceiling junction box and then raise the canopy (F) all the way to the ceiling. Raise the loop collar (G) and thread onto loop (H) protruding through canopy (Fig.2)
- Install the light bulbs in accordance with the fixture's specification:

**(DO NOT EXCEED THE MAXIMUM WATTAGE RATING!)  
(NE PAS DEPASSER LA PUISSANCE NOMINALE MAXIMALE!)**

Your installation is now complete. Return power to the junction box and test the fixture.

Fig.2

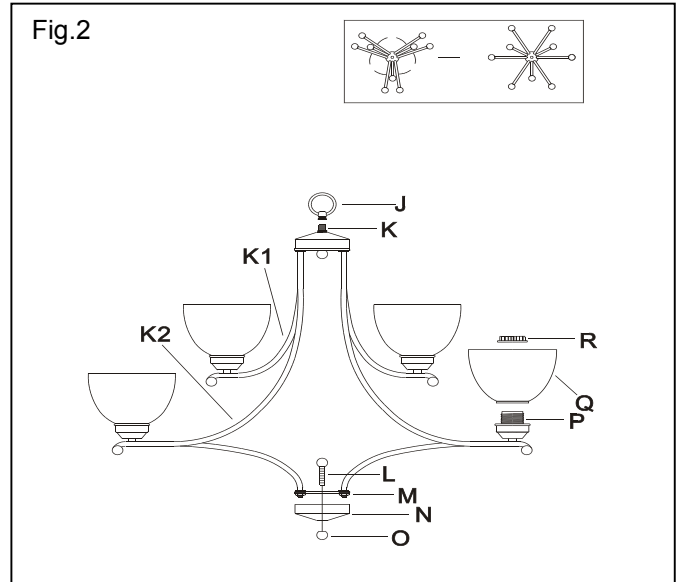


Fig.1

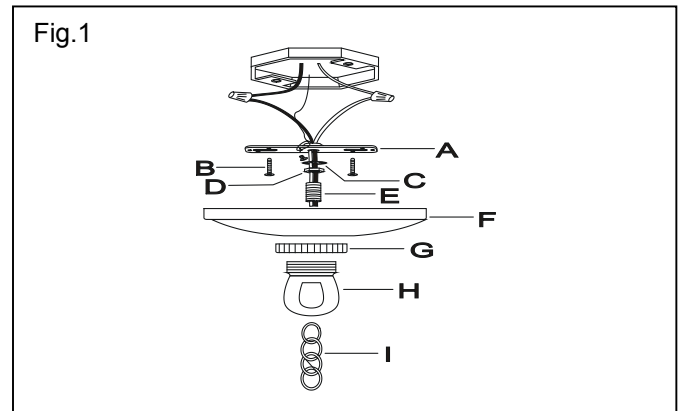
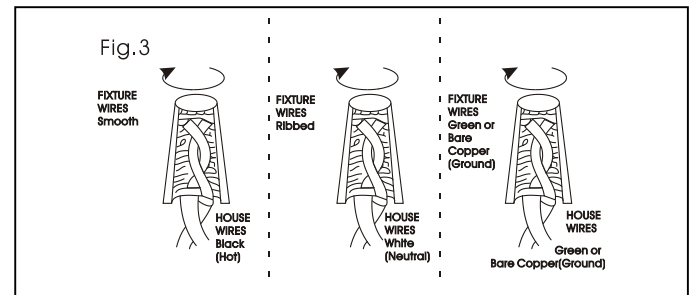


Fig.3



Notice: It is important to use proper chain pliers (not included) To OPEN and CLOSE the chain included with this fixture. Do not open them with other tools that may twist or stress the chain links. It is important to use proper chain pliers like the ones shown in the diagram.