

# INSTALLATION INSTRUCTIONS FOR 1294-580

©Minka Lighting, Inc.

This product is protected by United States Federal and/or State Law, including Patent and/or Copyright laws.

**WARNING! SHUT POWER OFF AT FUSE OR CIRCUIT BREAKER .**  
**AVERTISSEMENT! COUPER LE COURANT AU NIVEAU DES FUSIBLES OU DU DISJONCTEUR.**

## ASSEMBLING THE FIXTURE (Fig.2)

- Carefully unpack new fixture and lay all the parts on a clear surface.
- Attach the loop (A) to the column (B) by turning it clock wise until tight.
- Attach the column (B) to the fixture body (G) by turning it clock wise until tight.
- Place the two glass plates (F) (smooth side will be on the bottom) over the fixture body (G) aligning the pipe nipple, attach the collar ring (D) and lock securely with the nut (C).
- Install the light bulbs (not included) in accordance with the fixture's specifications: **DO NOT EXCEED THE MAXIMUM WATTAGE RATING! (NE PAS DEPASSER LA PUISSANCE NOMINALE MAXIMALE!)**
- Thread the nipple (I) into the coupling bottom of the lamp body (G), and then lock it tightly with the hex nut (H).
- Gently raise the glass shade (J) to bottom of the fixture body (G), aligning hole with the nipple (I) and screw it with the brass nut (K).
- Attach the cap (L) onto the bottom of the glass shade (J) and lock it with the ball nut (M).
- Hook the end of chain (E) to the leaf of the column (B) and the loop of the fixture body (G).
- Hang the finial (N) to the ball nut (M).

## HANGING THE FIXTURE (Fig.1)

- Shut off the power at the circuit breaker and remove old fixture from ceiling, including the old crossbar.
- Thread nipple (C) into loop (F) until snug.
- Thread other end of nipple (C) with loop attached into crossbar (D) until snug.
- Place lock washer (B) over end of nipple protruding through crossbar and thread hex nut (A) onto nipple until tight.
- Take this crossbar assembly and mount to ceiling junction box with junction box screws (E). Tighten screws securely with screwdriver.
- Using proper chain pliers to open one end link of the chain provided and connect to the fixture loop (J). Close the link.
- Lace the fixture wires through the chain.
- By measuring, determine correct number of links needed for proper hanging height. Using proper chain pliers disconnect and discard remaining chain.
- Slip loop collar (H) over the chain, then do the same with the canopy (G) and the canopy (I).
- Open the other end link of the chain and hang the fixture on the loop at the ceiling. Close the link.
- Feed the fixture wires through the loop (F) and nipple (C) and pull until taut.

## CONNECTING THE WIRES (Fig.3)

- Take the black wire from the ceiling junction box and the smooth wire leg from the fixture and twist bare ends together. Twist wire connector onto end of wire until snug.
- Repeat same process with white junction box wire and ribbed wire leg of fixture wire. NOTE: Twist wires together in the same direction you twist the wire connector onto wires.
- If your junction box has a grounding wire (green or bare copper), attach this wire and the bare copper wire from the fixture together as step 1. If junction box has no ground wire, attach the bare copper fixture wire to the green ground screw on the crossbar.
- Tuck these wire connections neatly into the ceiling outlet box and then raise the canopy (I) and the canopy (G) all the way to the ceiling. Raise the loop collar (H) and thread into ceiling loop protruding through canopy.

Your installation is now complete. Return power to the junction box and test the fixture.

Fig.1

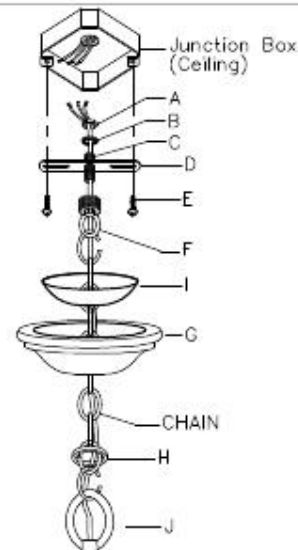
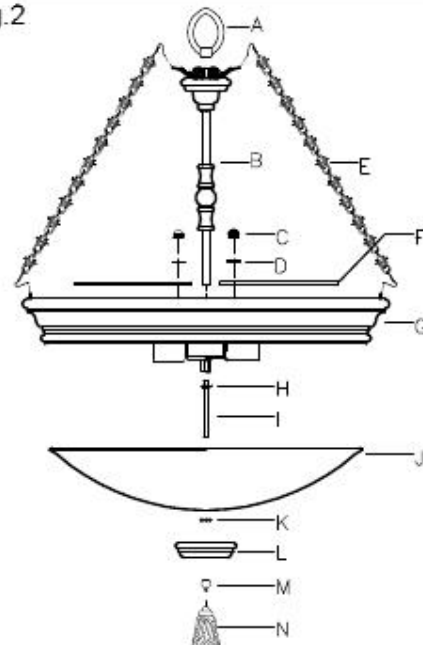


Fig.2



## CHAIN HUNG FIXTURE INSTRUCTION

Notice: It is important to use proper chain pliers (not included) To OPEN and CLOSE the chain included with this fixture. Do not open them with other tools that may twist or stress the chain links. It is important to use proper chain pliers like the ones shown in the diagram.

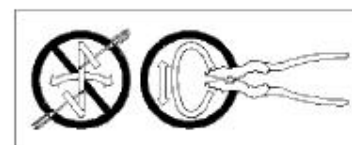


Fig.3

FIXTURE WIRES	HOUSE WIRES	FIXTURE WIRES	HOUSE WIRES	FIXTURE WIRES	HOUSE WIRES
Black or Smooth	Black (Hot)	White or Ribbed	White (Neutral)	Bare Copper (Ground)	Green or Bare Copper (Ground)

cETLus  
Intertek

american  
lighting  
association