

INSTALLATION INSTRUCTIONS FOR 1231-648

©Minka Lighting, Inc.
This product is protected by United States Federal and/or State Laws, including Patent and/or Copyright laws.

WARNING! SHUT POWER OFF AT FUSE OR CIRCUIT BREAKER .
AVERTISSEMENT! COUPER LE COURANT AU NIVEAU DES FUSIBLES OU DU DISJONCTEUR.

- HANGING THE FIXTURE (Fig. 1)**
1. Shut off power at the circuit breaker and remove old fixture including the mounting hardware.
 2. Carefully remove the fixture from the carton and check that all parts are included as shown in the illustration.

- SUGGESTED INSTALLATION (Fig. 2)**
3. Attach the mounting plate (A) to the junction box using screws (B) (Screw: #8-32*1 T.) as shown on Fig. 2.
 4. Determine the desired hanging height and thread rods (F1, F2, F3) to fixture body (G). Pass the wires carefully through each rod as you assemble.
 5. Place the canopy (C) over the rods (F) and thread the hanger ball (E) to rods (F). Please remove the nipple if install one 6" rod only.
 6. While holding the fixture body (G), install the fixture into the mounting plate (A) by tilting at a slight angle so that the hanger ball (E) slips into the mounting plate (A) as shown. Align the notch in the hanger ball (E) to the tab on the mounting plate (A) to prevent fixture from turning.

- CONNECTING THE WIRES (Fig. 3)**
7. At this point, connect the electrical wire as shown in figure 3, making sure that all wire connectors are secured. If your outlet box has a ground wire (green or bare copper), connect the ground wires from the hanger ball and mounting plate to it. Otherwise, connect the ground wire from the hanger ball directly to the mounting plate ground wire (Screw: #8-32*3/8 T.) and secure it with wire connectors provided. After wires are connected, tuck them carefully into the ceiling junction box.

- COMPLETING THE INSTALLATION (Fig. 1)**
8. Place the canopy (C) over the mounting plate (A) and secure with screws (D).
 9. Place the glass shade (H) and the check ring (I) onto the socket of the fixture body (G), then securely tighten the check ring (I) using the wrench (J). (The wrench (J) is a tool, when the installation is complete, it must be taken away).
 10. Hang the adorning (K) to the fixture body (G).
 11. Install the light bulb (not included) in accordance with the fixture's specifications: **DO NOT EXCEED THE MAXIMUM WATTAGE RATING ONE (1) FAS DEPASSER LA PUISSANCE NOMINALE MAXIMALE!**

Your installation is now complete. Return power to the junction box and test the fixture.

Note: Illustration (Fig. 1) on this manual is for installation purposes only. It may or may not be identical to the fixture purchased.

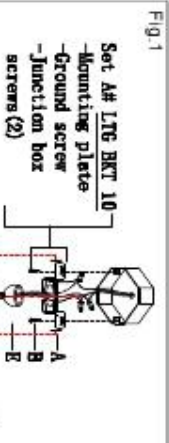


Fig.1

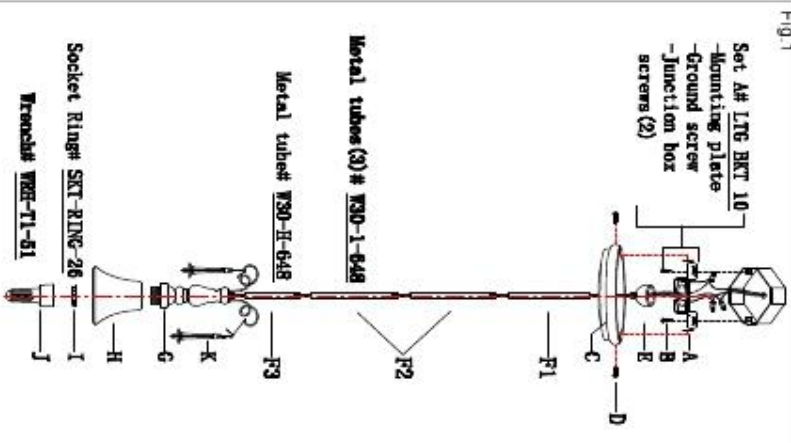
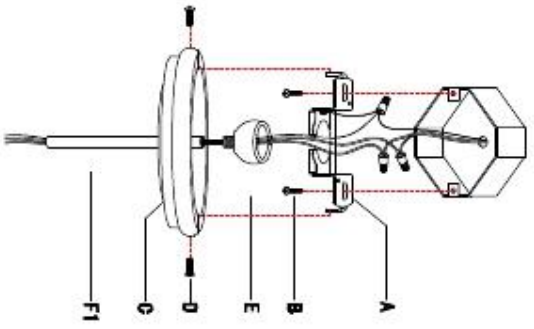


Fig.2

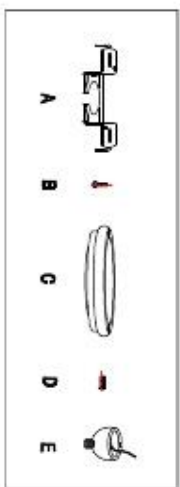


Fig. 2



a. Hardware Bag:

- A. Mounting Plate*1
- B. Screw*2
- C. Canopy*1
- D. Screw*2
- E. Hanger Ball*1



b. Hardware Bag:

- F1. ROD 12" *1
- F2. ROD 12" *2
- F3. ROD 6" *1

