

INSTALLATION INSTRUCTIONS FOR 956-126

©Minka Lighting, Inc.

This product is protected by United States Federal and/or State Law, including Patent and/or Copyright laws.

WARNING! SHUT POWER OFF AT FUSE OR CIRCUIT BREAKER .
AVERTISSEMENT! COUPER LE COURANT AU NIVEAU DES FUSIBLES OU DU DISJONCTEUR.

ASSEMBLING THE FIXTURE (Fig.1)

Attach the glass shade (H) on lamp holder, then lock it securely with check ring (G).

HANGING THE FIXTURE (Fig.3)

1. Shut off the power at the circuit breaker and remove old fixture from ceiling, including the old crossbar.
2. Carefully unpack new fixture and lay all the parts on a clear surface.
3. Thread end of nipple (C) into crossbar (D).
4. Place lock washer (B) over end of nipple protruding from crossbar and thread hex nut (A) onto nipple until tight.
5. Take this crossbar assembly and mount to ceiling junction box with junction box screws(E). Tighten screws securely with screwdriver. The side of the crossbar marked "GND" must face out.

CONNECTING THE WIRES(Fig.2)

1. Take the black wire from the ceiling junction box and the smooth wire leg from the fixture and twist bare ends together. Twist wire connector onto end of wire until snug.
2. Repeat same process with white junction box wire and ribbed wire leg of fixture wire. NOTE: Twist wires together in the same direction you twist the wire connector onto wires.
3. If your junction box has a grounding wire (green or bare copper), attach this wire and the bare copper wire from the fixture together as step 1. If junction box has no ground wire, attach the bare copper fixture wire to the green ground screw on the crossbar.
4. Tuck these wire connections neatly into the ceiling outlet box and then raise the canopy all the way to the ceiling. Raise the loop and thread onto ceiling loop protruding through canopy
5. Install the light bulbs (not included) in accordance with the fixture's specifications: **DO NOT EXCEED THE MAXIMUM WATTAGE RATING! (NE PAS DEPASSER LA PUISSANCE NOMINALE MAXIMALE!)**
6. Place the fixture canopy over the nipple (C), and then tighten it with ball nut(J).

Your installation is now complete. Return power to the junction box and test the fixture.

Fig.3

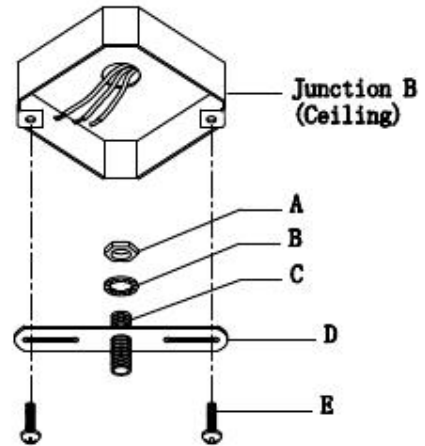
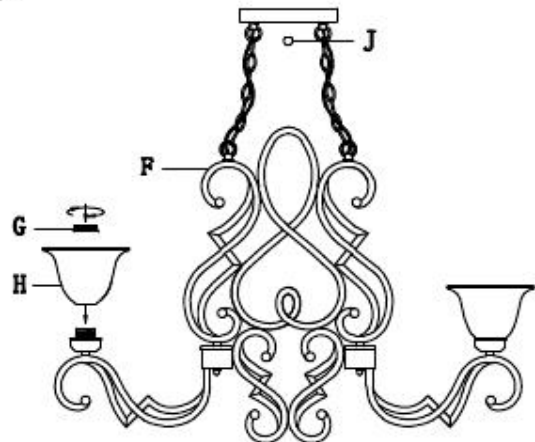


Fig.1



CHAIN HUNG FIXTURE INSTRUCTION

Notice: It is important to use proper chain pliers (not included) To OPEN and CLOSE the chain included with this fixture. Do not open them with other tools that may twist or stress the chain links. It is important to use proper chain pliers like the ones shown in the diagram.



Fig.3

FIXTURE WIRES	HOUSE WIRES	FIXTURE WIRES	HOUSE WIRES	FIXTURE WIRES	HOUSE WIRES
Black or Smooth	Black (Hot)	White or Ribbed	White (Neutral)	Bare Copper (Ground)	Green or Bare Copper (Ground)

cETLus
Intertek

american
lighting
association