

CRYST RAMA



1958

95 Cantiague Rock Road, Westbury NY 11590

ph:516.931.9090 fax: 516. 931.1254

info@crystorama.com www.crystorama.com

MODEL#:5823

ASSEMBLY AND DRESSING INSTRUCTIONS

WARNING:

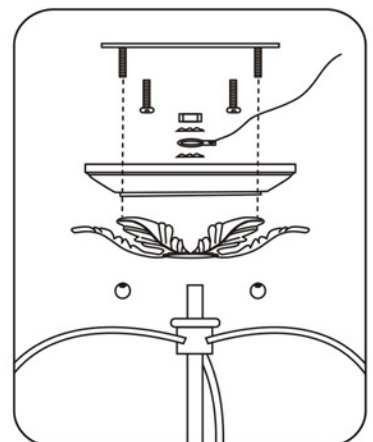
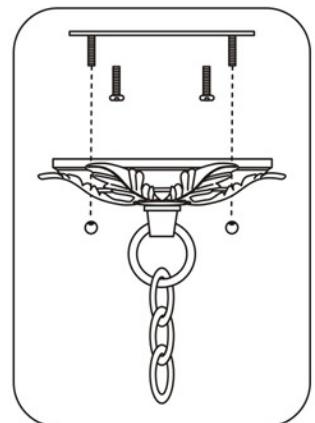
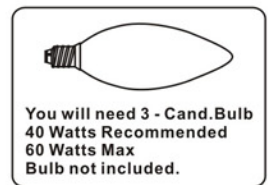
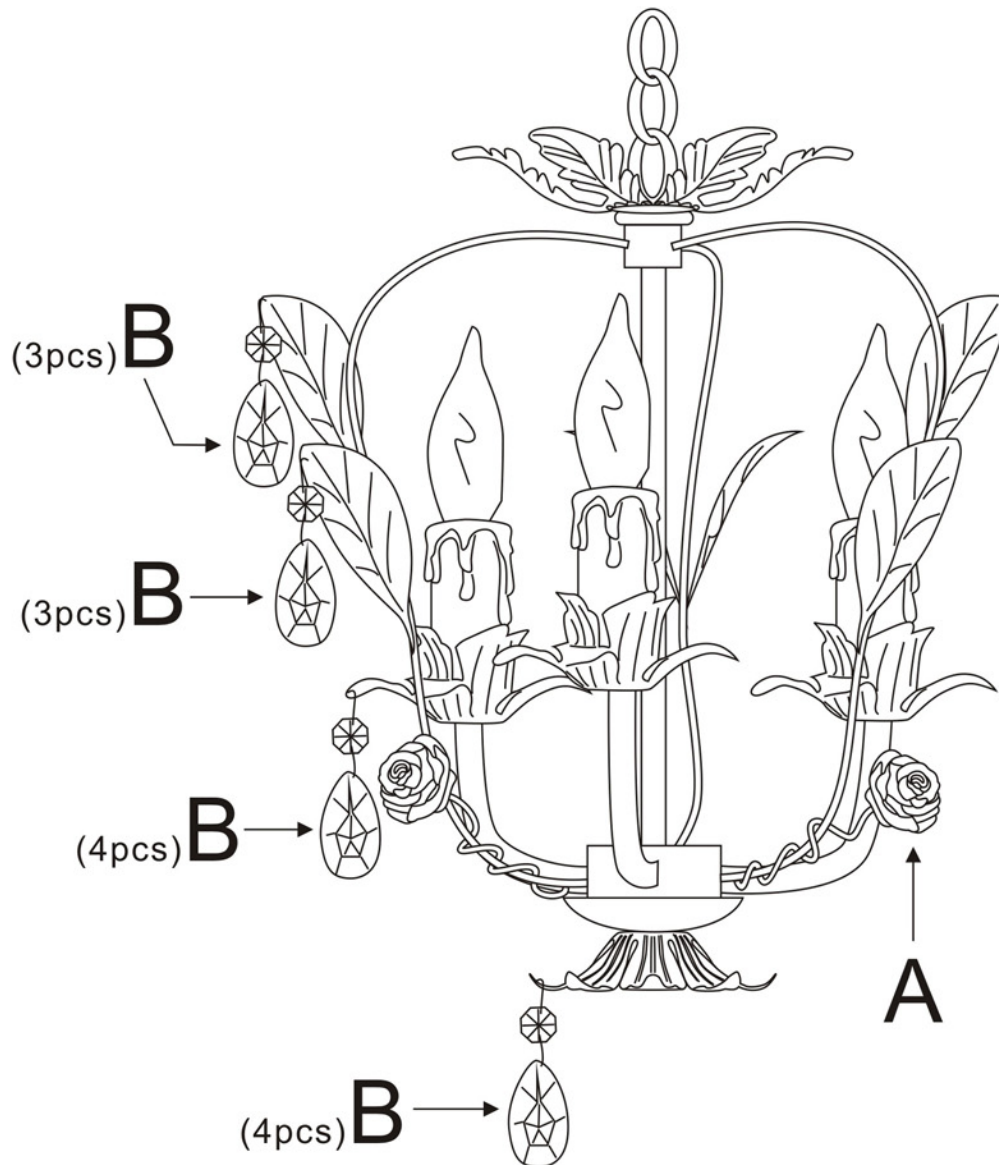


Electrical Danger




Turn Power Off

All electrical components must be installed by a licensed electrician in accordance with the National Electric Code and the appropriate local electrical codes.



A=  (40mm Glass Flower) x 3 sets

B=  (306-1.5") x 22 sets